

# CITYSCAPE X-LARGE PENDANT

VISUAL COMFORT & Co.

## PRODUCT FEATURES



- Integrated LED lamping provides a warm, decorative ambiance for a harmonious interplay of bold form and sensible function.
- Hang above a dining room or bedroom; this ceiling light will cascade beautiful lighting for a dramatic effect.
- This item is made of natural brass. It is a living finish that will patina and warm with age which adds richness. If it gets an uneven patina or spots, a brass cleaner can restore the finish
- Modern finishes available
- Protected by a 1-year warranty

## LAMPING

Includes 47.5 watts, 2959 total delivered lumens, 2700K LED modules. Dimmable with most LED compatible ELV dimmers. Ships with (4) 12" and (2) 6" rigid stems in coordinating finish. 120V-277V. Not compatible with sloped ceilings.

## ORDERING INFORMATION

SLPD563	COLOR TEMP	COLOR	FINISH
	27 2700K	CC CLEAR CRYSTAL	BZ BRONZE HAB HAND RUBBED ANTIQUE BRASS

SLPD563 \_\_\_\_\_

JOB NAME \_\_\_\_\_

NOTES \_\_\_\_\_

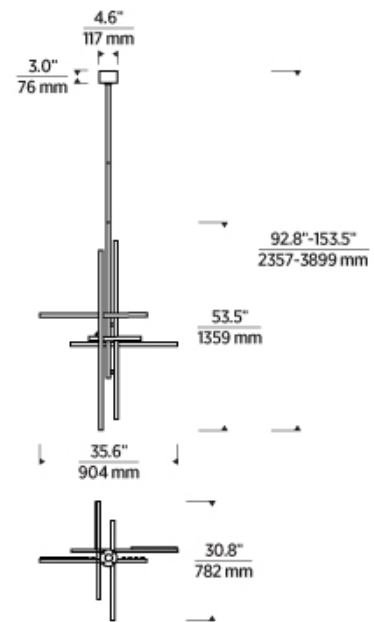


# CITYSCAPE X-LARGE PENDANT

VISUAL COMFORT & Co.

## SPECIFICATIONS

PRIMARY MATERIAL	Brass
SHADE MATERIAL	Crystal
NET WEIGHT	44 lbs
HEIGHT	53.5in
WIDTH	30.8in
LENGTH	35.6in
UP LIGHT / DOWN LIGHT / BOTH?	
WET LISTED	
DAMP LISTED	
DRY LISTED	
MIN. HANGING HEIGHT	92.8in
MAX HANGING HEIGHT	153.5in
TOTAL CORD LENGTH	
TOTAL STEM LENGTH	Up to 60in
STEM QTY	6
SLOPED CEILING ADAPTABLE?	No
GENERAL LISTING	ETL Listed
INCLUDES	



## LAMPING SPECIFICATIONS

	LED LAMP	INTEGRATED LED	NON LED	NO LAMP
DELIVERED LUMENS		2959		
WATTS		47.5		
MAX WATTAGE PER BULB		47.5W		
		Universal 120V-277V ELV		
CCT		2700K		
CRI		90 CRI		
LED LIFETIME		>50000		
L70				
AVERAGE BULB HOURS				
FIELD SERVICEABLE LED				
LAMP BASE		Integrated LED		
LAMP SHAPE		Integrated LED		
LAMP INCLUDED?		True		
WARRANTY**		5 Years		

\* Dimming information available at [www.techlighting.com/Downloads#dimming](http://www.techlighting.com/Downloads#dimming)

\*\* Visit [techlighting.com](http://techlighting.com) for specific warranty limitations and details.

## T20 / T24 / JA8 INFORMATION

	Integrated LED	Replacement LED Lamp	No Lamp *
This product can be used to comply with California Building Energy Efficiency Standards 2016 Title 24 Part 6 / JA8.	Yes		
This product can be used to comply with California Appliance Efficiency Standards 2016 Title 20 and may be shipped to and sold in California.			

\* If a light fixture or component does not include a lamp or light source, it is the responsibility of the customer to select a lamp that meets the T24 and T20 requirements.

