

PONTE SMALL FLOOR LAMP

VISUAL COMFORT & CO.

PRODUCT FEATURES

- Inspired by the Ponte Skyscraper in Johannesburg
- Contemporary Modern Style
- This item is made of natural brass. It is a living finish that will patina and warm with age which adds richness. If it gets an uneven patina or spots, a brass cleaner can restore the finish
- Head rotate 165 to direct the light exactly where it is needed
- Perfect in a bedroom or wherever additional illumination is required
- Integrated push switch dimmer

LAMPING

Includes 120V-240V 6.1 watts, 339 delivered lumens, 90 CRI 2700K LED module. Built-in three way dimming. Includes 8 feet of black cloth cord.



Nightshade Black



Nightshade Black



Polished Nickel



Hand Rubbed
Antique Brass

ORDERING INFORMATION

SLFL572	COLOR TEMP	FINISH
	303000K	HAB HAND RUBBED ANTIQUE BRASS
		B NIGHTSHADE BLACK
		N POLISHED NICKEL

SLFL572 _____

JOB NAME _____

NOTES _____

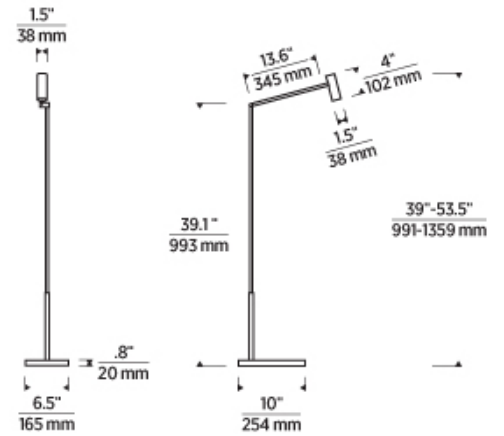


PONTE SMALL FLOOR LAMP

VISUAL COMFORT & Co.

SPECIFICATIONS

PRIMARY MATERIAL	Aluminum or Brass
SHADE MATERIAL	Aluminum or Brass
NET WEIGHT	16 lbs
HEIGHT	39.1in
WIDTH	6.5in
LENGTH	13.6in
WET LISTED	
DAMP LISTED	
DRY LISTED	
GENERAL LISTING	ETL Listed
INCLUDES	



LAMPING SPECIFICATIONS

	LED LAMP	INTEGRATED LED	NON LED	NO LAMP
DELIVERED LUMENS		339		
WATTS		6.1		
MAX WATTAGE PER BULB		6.1W		
		120V-240V Integrated 3-Step Touch Dimmer		
CCT		3000K		
CRI		90 CRI		
LED LIFETIME		>50000		
L70				
AVERAGE BULB HOURS				
FIELD SERVICEABLE LED				
LAMP BASE		Integrated LED		
LAMP SHAPE		Integrated LED		
LAMP INCLUDED?		True		
WARRANTY**		5 Years		

* Dimming information available at www.techlighting.com/Downloads#dimming

** Visit techlighting.com for specific warranty limitations and details.

T20 / T24 / JA8 INFORMATION

	Integrated LED	Replacement LED Lamp	No Lamp *
This product can be used to comply with California Building Energy Efficiency Standards 2016 Title 24 Part 6 / JA8.	No		
This product can be used to comply with California Appliance Efficiency Standards 2016 Title 20 and may be shipped to and sold in California.			

* If a light fixture or component does not include a lamp or light source, it is the responsibility of the customer to select a lamp that meets the T24 and T20 requirements.

