

# AGRA 12 PICTURE LIGHT

VISUAL COMFORT & Co.

## PRODUCT FEATURES



- Simplistic design with no visible hardware or seams
- Head can pivot 90° up or down.
- The LED Driver is housed within the junction box for this product
- This item is made of natural brass. It is a living finish that will patina and warm with age which adds richness. If it gets an uneven patina or spots, a brass cleaner can restore the finish.
- Modern finishes available



## LAMPING

## ORDERING INFORMATION

| SLPC626 | COLOR TEMP | FINISH   |
|---------|------------|--|
|         | 27 2700K   | BZ BRONZE<br>HAB HAND-RUBBED ANTIQUE BRASS<br>PN POLISHED NICKEL |

SLPC626 \_\_\_\_\_

JOB NAME \_\_\_\_\_

NOTES \_\_\_\_\_

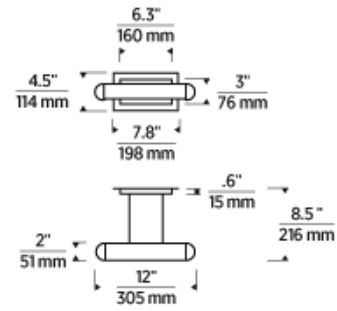


# AGRA 12 PICTURE LIGHT

VISUAL COMFORT & Co.

## SPECIFICATIONS

|                          |            |
|--------------------------|------------|
| PRIMARY MATERIAL         | Brass      |
| SHADE MATERIAL           |            |
| NET WEIGHT               | 5.5 lbs    |
| HEIGHT                   | 4.5in      |
| WIDTH                    | 8.5in      |
| LENGTH                   | 12in       |
| MIN. EXTENSION FROM WALL | 8.5in      |
| WET LISTED               |            |
| DAMP LISTED              |            |
| DRY LISTED               |            |
| GENERAL LISTING          | ETL Listed |
| ADA COMPLIANT            |            |
| INCLUDES                 |            |



## LAMPING SPECIFICATIONS

|                       | LED LAMP | INTEGRATED LED             | NON LED | NO LAMP |
|-----------------------|----------|----------------------------|---------|---------|
| DELIVERED LUMENS      |          | 446                        |         |         |
| WATTS                 |          | 7.9                        |         |         |
| MAX WATTAGE PER BULB  |          | 7.9W                       |         |         |
|                       |          | 120V-277V 0-10, ELV, TRIAC |         |         |
| CCT                   |          | 2700K                      |         |         |
| CRI                   |          | 90 CRI                     |         |         |
| LED LIFETIME          |          |                            |         |         |
| L70                   |          | >50,000                    |         |         |
| AVERAGE BULB HOURS    |          |                            |         |         |
| FIELD SERVICEABLE LED |          |                            |         |         |
| LAMP BASE             |          | Dedicated LED              |         |         |
| LAMP SHAPE            |          | Dedicated LED              |         |         |
| LAMP INCLUDED?        |          | True                       |         |         |
| WARRANTY**            |          | 5 Years                    |         |         |

\* Dimming information available at [www.techlighting.com/Downloads#dimming](http://www.techlighting.com/Downloads#dimming)

\*\* Visit [techlighting.com](http://techlighting.com) for specific warranty limitations and details.

## T20 / T24 / JA8 INFORMATION

|   | Integrated LED | Replacement LED Lamp | No Lamp * |
|---|----------------|----------------------|-----------|
| This product can be used to comply with California Building Energy Efficiency Standards 2016 Title 24 Part 6 / JA8.                           | No             |                      |           |
| This product can be used to comply with California Appliance Efficiency Standards 2016 Title 20 and may be shipped to and sold in California. |                |                      |           |

\* If a light fixture or component does not include a lamp or light source, it is the responsibility of the customer to select a lamp that meets the T24 and T20 requirements.

