

SAUCER DIRECT 18 PENDANT

VISUAL COMFORT & CO.

PRODUCT FEATURES



- Indirect light source that pushes the light up
- Inside of shade is sandblasted and spun to reach 3mm in thickness
- Ships with (4) 12" and (2) 6" rigid stems in coordinating finish.
- Fully dimmable integrated LED lamp
- Modern finishes available

LAMPING

ORDERING INFORMATION

AKPD682	COLOR TEMP	FINISH
	WD 3000K-1800K WARM DIM	BZ BRONZE BZDB BRONZE AND DARKENED BRASS HAB HAND-RUBBED ANTIQUE BRASS PN POLISHED NICKEL

AKPD682 _____

JOB NAME _____

NOTES _____

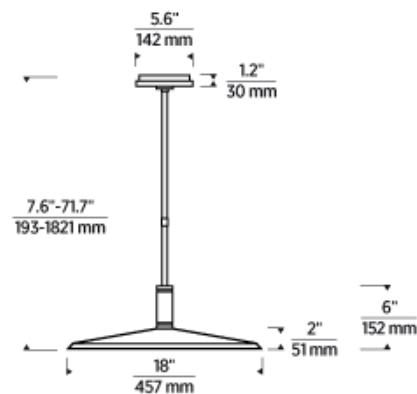


SAUCER DIRECT 18 PENDANT

VISUAL COMFORT & Co.

SPECIFICATIONS

PRIMARY MATERIAL	Steel Or Brass
SHADE MATERIAL	Steel Or Brass
NET WEIGHT	13.5 lbs
HEIGHT	6in
WIDTH	18in
LENGTH	18in
WET LISTED	
DAMP LISTED	
DRY LISTED	
GENERAL LISTING	ETL Listed
INCLUDES	



LAMPING SPECIFICATIONS

	LED LAMP	INTEGRATED LED	NON LED	NO LAMP
DELIVERED LUMENS		874		
WATTS		18.6		
MAX WATTAGE PER BULB		18.6W		
		120V-277V 0-10, ELV, TRIAC		
CCT		3000K-1800K		
CRI		90 CRI		
LED LIFETIME				
L70		>50,000		
AVERAGE BULB HOURS				
FIELD SERVICEABLE LED				
LAMP BASE		Dedicated LED		
LAMP SHAPE		Dedicated LED		
LAMP INCLUDED?		True		
WARRANTY**		5 Years		

* Dimming information available at www.techlighting.com/Downloads#dimming

** Visit techlighting.com for specific warranty limitations and details.

T20 / T24 / JA8 INFORMATION

	Integrated LED	Replacement LED Lamp	No Lamp *
This product can be used to comply with California Building Energy Efficiency Standards 2016 Title 24 Part 6 / JA8.	No		
This product can be used to comply with California Appliance Efficiency Standards 2016 Title 20 and may be shipped to and sold in California.			

* If a light fixture or component does not include a lamp or light source, it is the responsibility of the customer to select a lamp that meets the T24 and T20 requirements.

