

Shade Installation Instructions

C47

Rene Table Lamps 27-3080 & Lino Table Lamps 27-3085

To Install Glass Diffuser (Figures 1-3)

Component Parts

A Turn Knob	F Finial
B Harp Holder	G Washer
C Socket	H Diffuser
D Locks (2)	I Shade
E Harp	

1. Carefully unpack the lamp from the carton.
2. Install turn knob (A) onto socket (Figure 1).
3. Remove finial (F) from harp (E) and save for later use.
Finial is shipped installed on harp.
4. Squeeze harp (E) together while holding the locks (D) up towards the top of the harp (E) and slip into harp holder (B).
5. Allow locks (D) to slip down harp (E) and onto harp holder (B) to secure harp in place.
6. Install bulb.
7. Slip shade (I), diffuser (H) and washer (G) onto threaded stud on top of harp (E). See Figure 3 for washer orientation.
8. Thread finial (F) onto threaded stud on harp (E) and tighten until snug. *Be careful not to over tighten.*

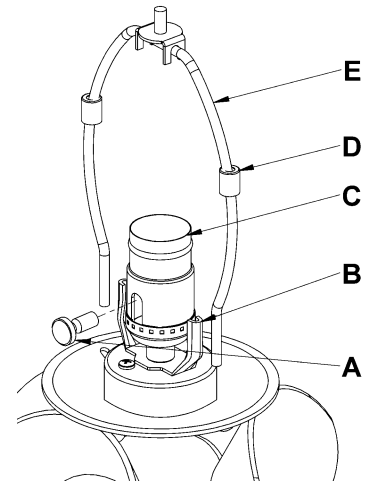


Figure 1

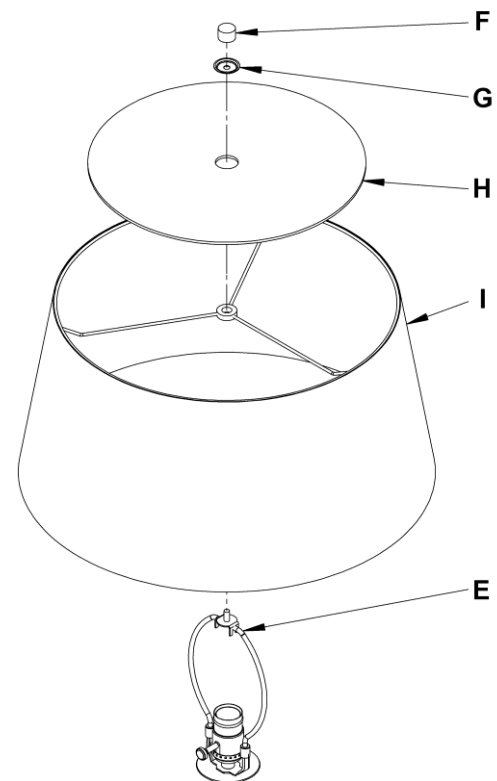


Figure 2

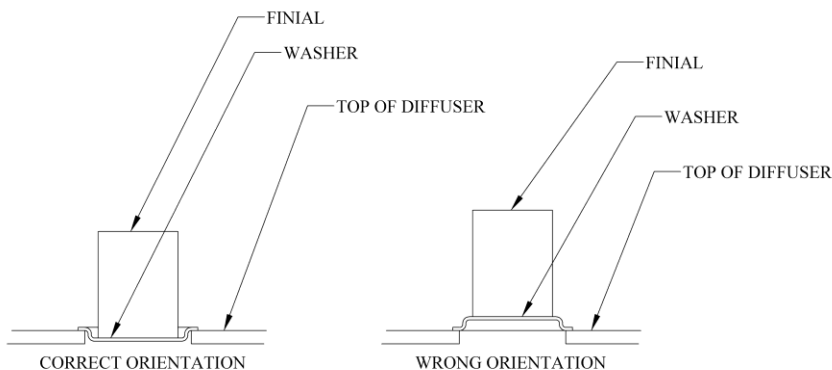


Figure 3

If you need further assistance, or find that you are missing any parts, please contact the dealer from which you purchased this product. We hope you enjoy your fixture!

* Hubbardton Forge will not be liable for injury or damage caused by improper installation, lamping or use of this fixture.