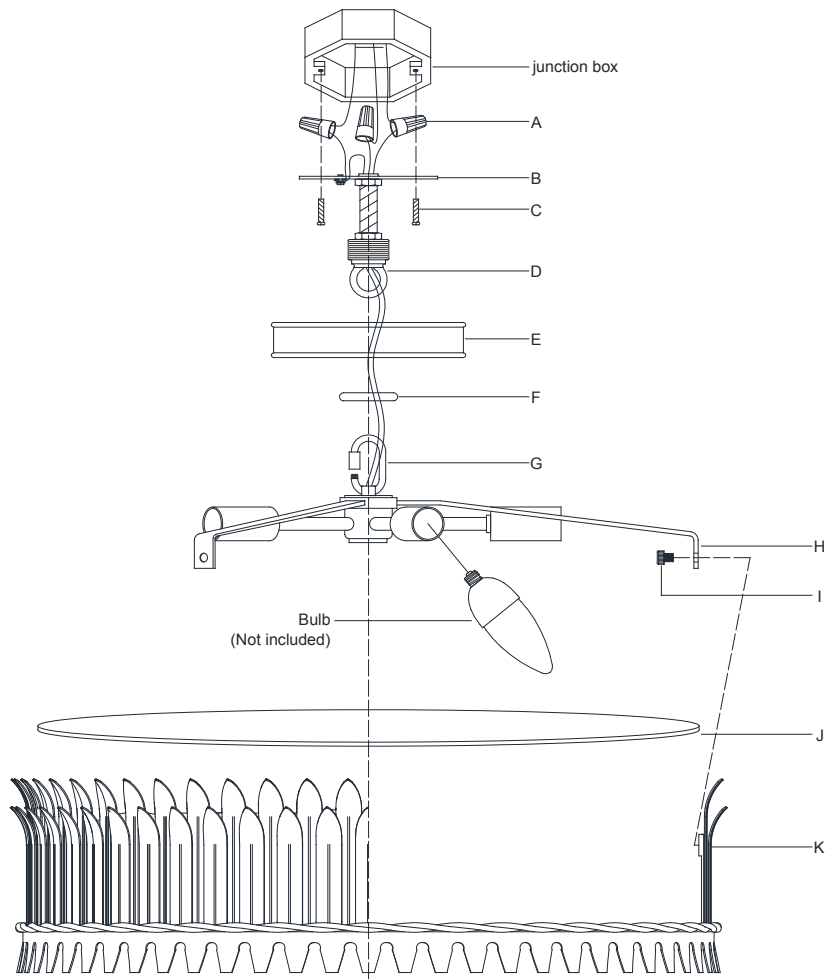


ASSEMBLY INSTRUCTIONS



Leslie 20" Semi-Flush

Item # SK 4207

WE RECOMMEND INSTALLATION OF THIS LIGHTING FIXTURE BE DONE BY A LICENSED ELECTRICIAN.

WARNING*SWITCH OFF THE MAIN ELECTRICAL SUPPLY FROM THE MAIN FUSE BOX/CIRCUIT BREAKER BEFORE INSTALLATION.**

INSPECT ITEM CAREFULLY BEFORE ATTEMPTING TO INSTALL. IF THERE IS ANY DAMAGE OR OBVIOUS DEFECT. DO NOT INSTALL.

ITEM MAY NOT BE RETURNED ONCE IT HAS BEEN INSTALLED.

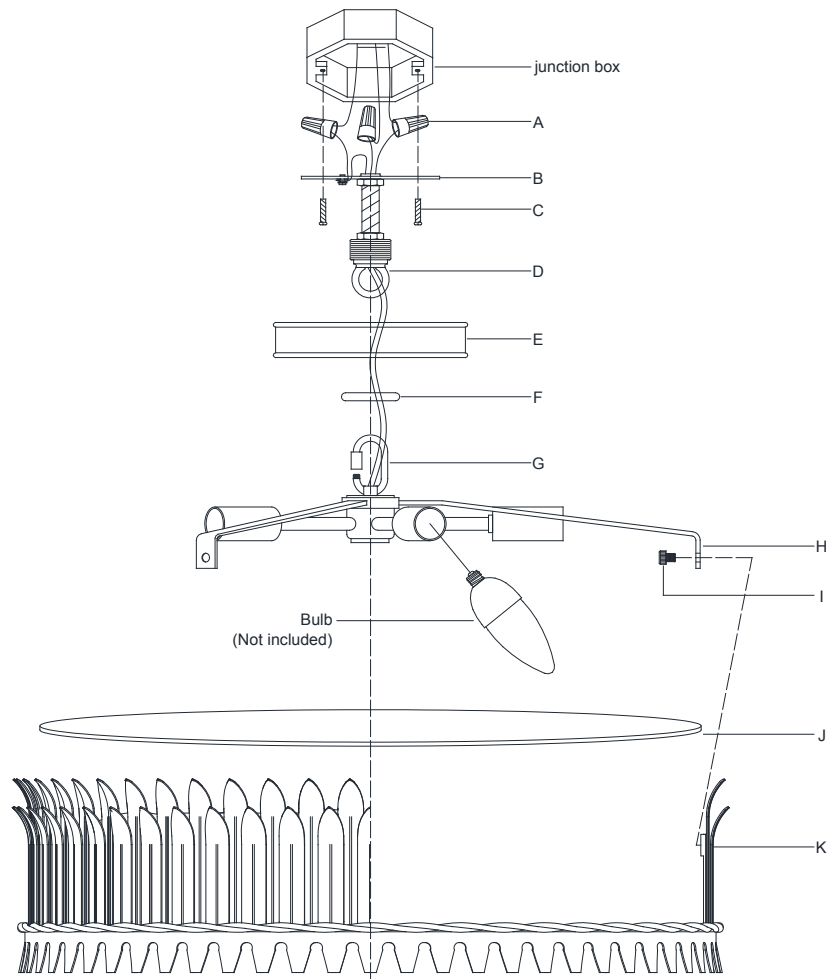
NOTE: CAREFULLY UNPACK EACH PIECE IN TOP LAYER OF PACKING PRIOR TO REMOVING. RETAIN ALL PACKING MATERIAL UNTIL INSPECTION AND INSTALLATION ARE FINAL.

1. Carefully remove all parts from the box.
2. Remove the bracket (H) from fixture body (K) by loosening the nuts (I).
3. Put the glass diffuser (J) into the fixture body (K).
4. Attach the bracket (H) to the fixture body (K) and secure with nuts (I).
5. Install the mounting plate (B) to the junction box with mounting screws (C) provided.
6. Put canopy (E) flush to the ceiling, and secure with collar ring (F).
7. Open the chain quick link (G), then attach the chain quick link to the ceiling loop (D).
Secure the chain quick link.
8. Loosen the collar ring (F) and slip down the canopy (E) carefully.
9. Twist the power supply and ground wire together and push through the center hole of the ceiling loop (D).
10. Connect the fixture ground (bare) wire with the ground wire from the junction box using wire nut (A). If your house does not have ground wire, then attach this wire to the green grounding screw inside of the junction box.
IT IS IMPERATIVE THAT THIS FIXTURE BE GROUNDED.
11. Connect the fixture Neutral wire (ribbed) with the neutral wire (White) from the junction box using wire nut (A).
12. Connect the fixture Hot (smooth, marks with words) wire with the hot wire (Black) from the junction box using wire nut (A).
DO NOT REVERSE THE HOT AND NEUTRAL CONNECTIONS OR SAFETY WILL BE COMPROMISED.



Visual Comfort & Co. Est. 1987

ASSEMBLY INSTRUCTIONS



Leslie 20" Semi-Flush

Item # SK 4207

WE RECOMMEND INSTALLATION OF THIS LIGHTING FIXTURE BE DONE BY A LICENSED ELECTRICIAN.

WARNING*SWITCH OFF THE MAIN ELECTRICAL SUPPLY FROM THE MAIN FUSE BOX/CIRCUIT BREAKER BEFORE INSTALLATION.**

INSPECT ITEM CAREFULLY BEFORE ATTEMPTING TO INSTALL. IF THERE IS ANY DAMAGE OR OBVIOUS DEFECT. DO NOT INSTALL.

ITEM MAY NOT BE RETURNED ONCE IT HAS BEEN INSTALLED.

NOTE: CAREFULLY UNPACK EACH PIECE IN TOP LAYER OF PACKING PRIOR TO REMOVING. RETAIN ALL PACKING MATERIAL UNTIL INSPECTION AND INSTALLATION ARE FINAL.

13. Tuck these wire connections neatly into the outlet box to secure.

14. Put canopy (E) flush to the ceiling, and secure with collar ring (F).

15. Insert bulbs (not included) into the sockets.

16. Installation is complete, turn on power at fuse or circuit breaker.

***Clean with a dry, soft cloth only. Use no harsh abrasives or chemical agents.

