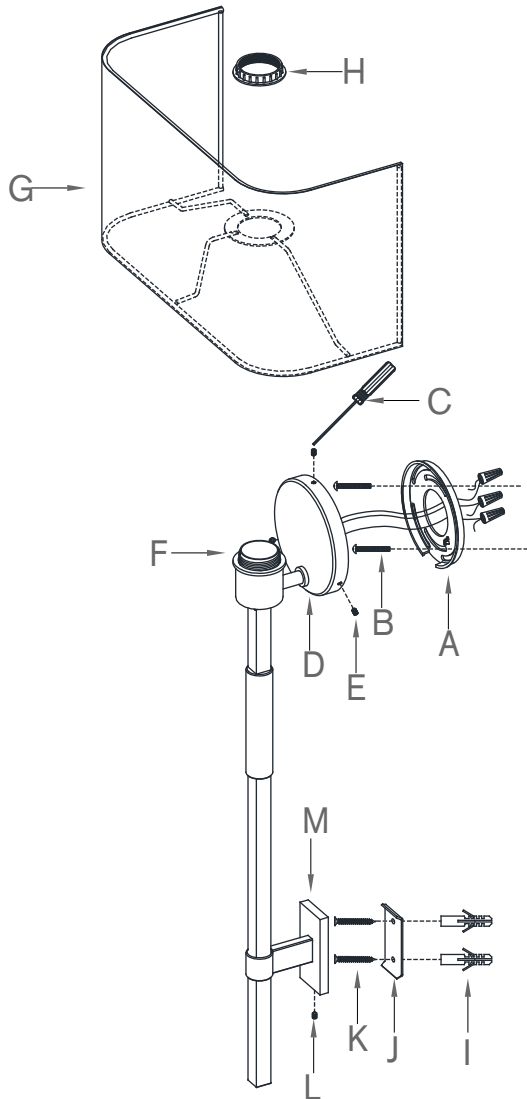


ASSEMBLY INSTRUCTIONS



Auray Large Tail Sconce Item # S 2436

WE RECOMMEND INSTALLATION OF THIS LIGHTING FIXTURE BE DONE BY A LICENSED ELECTRICIAN.

WARNING * SWITCH OFF THE MAIN ELECTRICAL SUPPLY FROM THE MAIN FUSE BOX/CIRCUIT BREAKER BEFORE INSTALLATION.**

INSPECT ITEM CAREFULLY BEFORE ATTEMPTING TO INSTALL. IF THERE IS ANY DAMAGE OR OBVIOUS DEFECT, DO NOT INSTALL.

ITEM MAY NOT BE RETURNED ONCE IT HAS BEEN INSTALLED.

- Carefully remove all parts from the carton.
- Remove mounting plate (A) from base of light fixture (D) by removing set screws (E) using wrench (C) provided.
- Attach fixture base (D) to wall outlet, mark outer line for base (M), make sure both base (M) and (D) are vertical to each other.
- Remove plate (J) from base (M) by unscrewing set screw (L) using wrench (C).
- Place plate (J) to the marked area, mark two points on the wall for plate (J). Remove plate (J).
- Drill small holes on each location, make sure the hole should be big enough to accommodate plastic anchors (I). Push the plastic anchors (I) into the holes in the wall.
- Attach plate (J) to the wall by align the holes and insert wood screw (K) into plastic anchors (I) to secure it on the wall.
- Affix mounting plate (A) to wall outlet box with mounting screws (B) provided.
- Attach ground (green or green/yellow) wire to ground wire from wall outlet box (usually green or copper in color), fasten together with a plastic wire connector. Tightly wrap the wire connector with electrical tape, so the end of the connector is sealed. **IT IS IMPERATIVE THAT THE OUTLET BOX IN YOUR HOME BE PROPERLY GROUNDED.**
- Connect both neutral (white) fixture wires coming from fixture base to neutral (usually white) outlet wire. Fasten three wires together with a plastic wire connector and tightly wrap the wire connector with electrical tape.
- Repeat the same procedure with the hot (black) wires. Always make sure that no wire strands are left outside the connectors. **DO NOT REVERSE THE HOT AND NEUTRAL CONNECTIONS OTHERWISE SAFETY WILL BE COMPROMISED.**
- Attach fixture base (D) to the affixed mounting plate (A) and secure with set screws (E); attach base (M) to plate (J) and secure with set screw (L). Tighten with wrench (C).
- Remove socket ring (H) from socket (F), attach shade (G) onto the socket (F) and secure with socket ring (H).
- Insert light bulb (not included) into the socket.
- Restore power and test fixture. Installation is complete.

*** Clean with a dry, soft cloth only. Use no harsh abrasives or chemical agents.

