

ASSEMBLY INSTRUCTIONS

Margarite Single Sconce

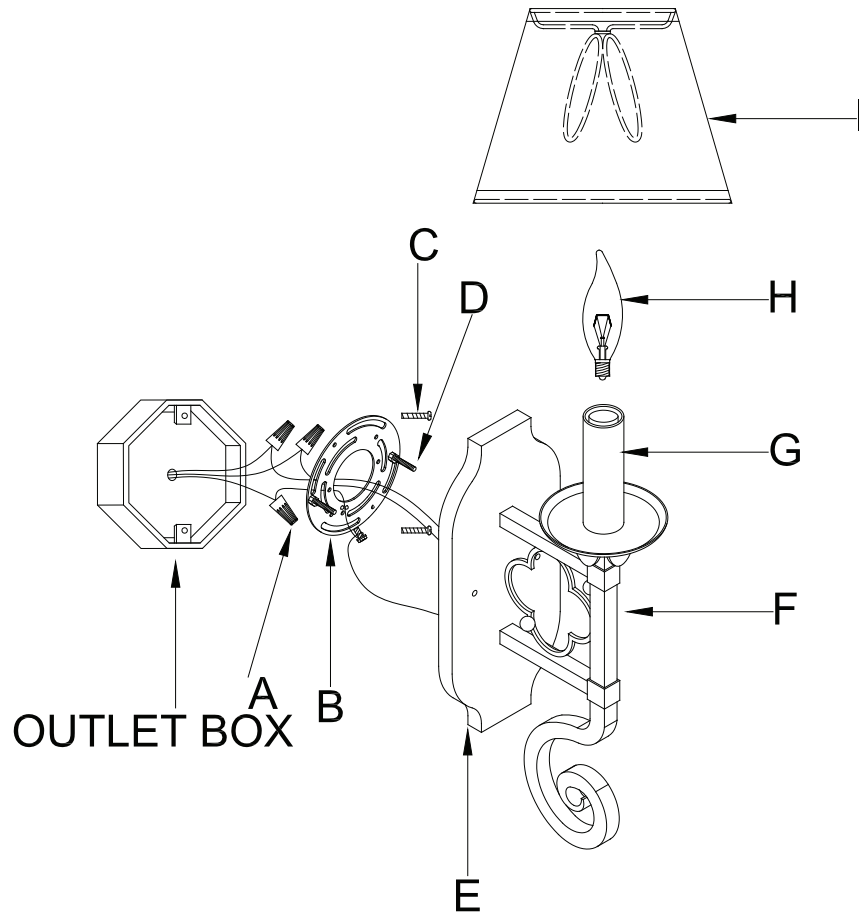
Item # SK2105

WE RECOMMEND INSTALLATION OF THIS LIGHTING FIXTURE BE DONE BY A LICENSED ELECTRICIAN.

WARNING * SWITCH OFF THE MAIN ELECTRICAL SUPPLY FROM THE MAIN FUSE BOX/CIRCUIT BREAKER BEFORE INSTALLATION.**

INSPECT ITEM CAREFULLY BEFORE ATTEMPTING TO INSTALL. IF THERE IS ANY DAMAGE OR OBVIOUS DEFECT, DO NOT INSTALL.

ITEM MAY NOT BE RETURNED ONCE IT HAS BEEN INSTALLED.



1. Carefully remove the mounting plate(B) from the back plate(E) by removing screws(D).
2. Secure the mounting plate(B) to the outlet box in your wall using the two mounting screws(C).
3. Connect the Ground (bare) fixture wire with the ground (usually bare) wire from your ceiling box using wire nut(A). If your house does not have ground wire, then attach this wire to the green grounding screw inside of outlet box. IT IS IMPERATIVE THAT THIS FIXTURE BE GROUNDED.
4. Connect the Neutral (ribbed edge, no markings, or white) fixture wire with the Neutral (usually white) wire from your ceiling box using wire nut(A).
5. Connect the Hot (smooth edge, markings, or black) fixture wire with the Hot (usually black) wire from your outlet box using wire nut(A). IT IS IMPERATIVE THAT YOU NOT MIX THESE WIRES.
6. Carefully tuck the wires inside the outlet box. Make sure no wires can be pulled out.
7. Secure the back plate(E) to the mounting plate(B) with the two screws(D).
8. Insert bulb(H) (not included) into socket.
9. Put shades(I) (sold separately) on bulb. Be sure the metal finials stay well on the top of shade.
10. Assembly is complete.

