

ASSEMBLY INSTRUCTIONS

ITEM DESCRIPTION:

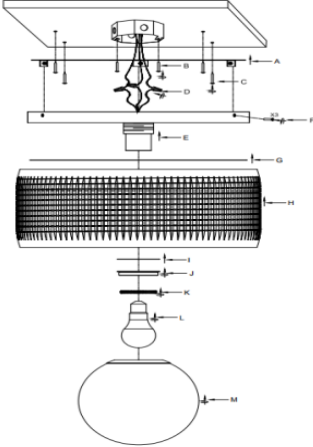
ITEM NO: DA49028 NAME: Cut Large Flush Mount

MATERIAL TYPE: Glass FINISH: Clear

SOCKET TYPE: E26 SOCKET QTY: 1

BULB WATTAGE: 40W/CFL 10W/LED 9W

VOLTAGE: 110-120V ITEM NET WEIGHT: 16.5LBS



PARTS INCLUDED:

Mounting Plate (A) Qty: 1

Socket Assembly (E) Qty: 1

Canopy (F) Qty: 1

Large Rubber Pad (G) Qty: 1

Glass Shade (H) Qty: 1

Small Rubber Pad (I) Qty: 1

Metal Rings (J)(K) Qty: 2

Bulb- not included (L) Qty: 1

Glass Globe (M) Qty: 1

HARDWARE INCLUDED:

Mounting Screws (B) 2 Flathead Screws (F) 3

Wire Connector (D) 3

Self-Tapping Screw (C) 4

TO INSTALL YOU WILL NEED:

- 2 people recommended
- Phillips Screwdriver

These instructions are provided for safety. It is very important that they are read carefully and completely before beginning installation of this chandelier.

We strongly suggest that all hard-wired fixtures must be installed by a professional electrician.



TO ASSEMBLE:

- Carefully unpack the fixture and lay out all the parts on a clear area. Take care not to lose any parts necessary for installation.
- Shut off the power at the circuit breaker and remove the old fixture, including the mounting hardware
- Position the mounting plate on the wall, and mark location of the mounting holes, drill the holes on the wall, and then inserting the plastic anchors.
- Attach the mounting plate (A) to the ceiling junction box using the enclosed 2pcs mounting screws (B) & 4pcs self-tapping screws (C) and tighten screws with screwdriver
- Attach the neutral fixture wire from the pendant to the neutral junctionbox wire (usually white). Fasten each together with a wire nut and wrap the connection with electrical tape.
- Attach the hot fixture wire from the pendant to the hot junction box wire (usually black). Fasten each together with a wire nut and wrap the connection with electrical tape. DO NOT REVERSE THE HOT AND NEUTRAL CONNECTIONS OR SAFETY WILL BE COMPROMISED.
- Attach canopy (F) to mounting plate (A) and secure with provided 3 flat head screws (F).
- Attach rubber pad (G), glass shade (H) and rubber pad (I) to socket assembly (E) and secure with metal ring (J) and (K).
- Install light bulb (L) into socket (max. 40W A or 10W CFL or 9W LED – bulb is not included). DO NOT EXCEED SPECIFIED WATTAGE OF FIXTURE.
- Screw the glass globe (M) to socket assembly (E).

CARE INSTRUCTIONS:

Wipe with a soft, dry cloth. To protect finish, avoid the use of chemicals and household cleaners.

For customer service questions call 1-800-338-2150

ARTERIOS