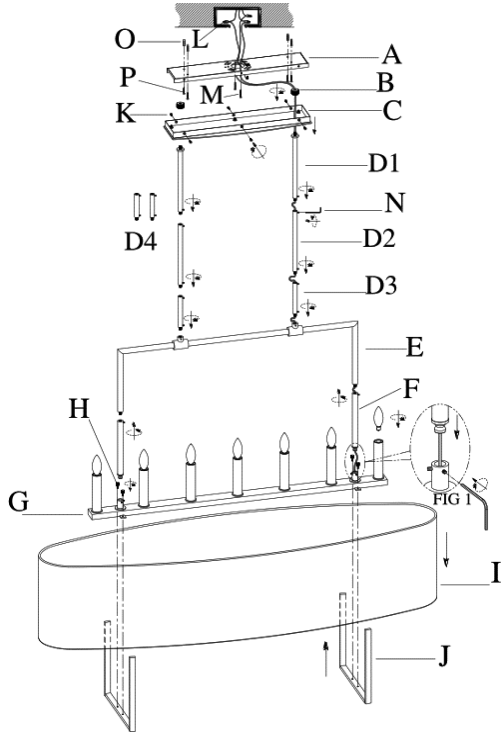


ASSEMBLY INSTRUCTIONS

ITEM DESCRIPTION:

ITEM NO.: 89649	NAME: Presley Chandelier
MATERIAL TYPE: Steel	FINISH: Antique Brass
SOCKET TYPE: E12	SOCKET QTY: 7
BULB WATTAGE: 60W/16W CFL/13W LED	
VOLTAGE: 110-120 V	ITEM NET WEIGHT: 26LBS



PARTS INCLUDED:

A MOUNTING PLATE	1 PC	G SOCKET ASSEMBL	1 PC
B SCREW NUT	2 PCS	H SET SCREW	4 PCS
C CANOPY	1 PC	I SHADE	1 PC
D RODS	8 PCS	J FRAME	2 PCS
E COLUMN	1 PC	K CANOPY SCREW	6 PCS
F PIPE	2 PCS		

HARDWARE INCLUDED:

L Plastic Wire Connector	N Allen Wrench
M Mounting Screws	O Anchor
Green Ground Screw	P Strengthened Screw

TO INSTALL YOU WILL NEED:

- 2 people recommended
- Phillips Screwdriver

These instructions are provided for safety. It is very important that they are read carefully and completely before beginning installation of this chandelier.

We strongly suggest that all hard-wired fixtures must be installed by a professional electrician.



TO ASSEMBLE:

1. Remove all packing contents from the carton(s) carefully. Ensure you have all parts indicated before you begin assembly.
2. Shut off the main electrical supply from the main fuse box/circuit breaker.
3. Remove the mounting plate(a)from the canopy(c)by losing 6pcs canopy screws(k).
4. Screw the rod(d3) onto the column(e) and tighten the hexangular screw in the side desire hole by Allen wrench(n). Repeat the same operation on the rod (d1) and (d2). And if the ceiling is high enough, pls assemble the rod(d4) if need.
5. Screw the pipe(f) onto the column(e), and as shown if fig1, insert another end into the top ring on socket assembly(g) then use 2pcs hexangular screws by Allen wrench(n)till tight.
6. Pass the rod(d1) through canopy (c) and tighten it by using screw nut(b). pass through the cord as drawing shown. Repeat the above operations (6) and (7) on another side.
7. Attach the shade(i) to the socket assembly(g), and thread 2pcs set screws on frame(j)each till tight.
8. Carefully inspect the pendant's fixture wires. The neutral fixture wire has very fine ridges molded into its plastic covering. The hot fixture wire has a smooth covering. The bare silver wire is the grounded wire.
9. Attach the ground wire from the fixture to the ground junction box wire from the outlet (usually green) or bare wire). Fasten each together with a plastic wire connector (l) and wrap the connection with electrical tape. If your outlet box does not have a ground wire, insert the green ground screw into the mounting plate (a) facing down, and wrap the fixture's bare ground wire around the ground screw. It is imperative that the outlet box in your home be properly grounded.
10. Connect the neutral fixture wire to the neutral junction box wire (usually white). Fasten each together with a wire connector (l) and wrap the connection with electrical tape. Be sure no strands are exposed.
11. Connect the hot fixture wire to the hot junction box wire (usually black). Fasten each together with a plastic wire connector (l) and wrap the connection with electrical tape. Be sure no wire strands are exposed. Do not reverse the hot and neutral connections or safety will be compromised.
12. Gently truck the wire connections neatly into the ceiling junction box.
13. Attach the mounting plate (a) with nipple to the ceiling outlet box using the enclosed mounting screws (m) and tighten screws with a screwdriver.
14. If attach to cement ceiling, use anchor(o) first then screw strengthened screws(p)into the anchor.
15. If attach to wood ceiling, thread strengthened screw(p)directly into ceiling.
16. Push mounting plate(a) in canopy (b) and thread the canopy screws(k) to secure it till tight.
17. Insert 7 type b 60w bulbs (or suitable cfl 16w/led 13w bulbs, not included) in the sockets. Do not exceed specified wattage.

CARE INSTRUCTIONS:

Wipe with a soft, dry cloth. To protect finish, avoid the use of chemicals and household cleaners.

For customer service questions call 1-800-338-2150

ARTERIOS