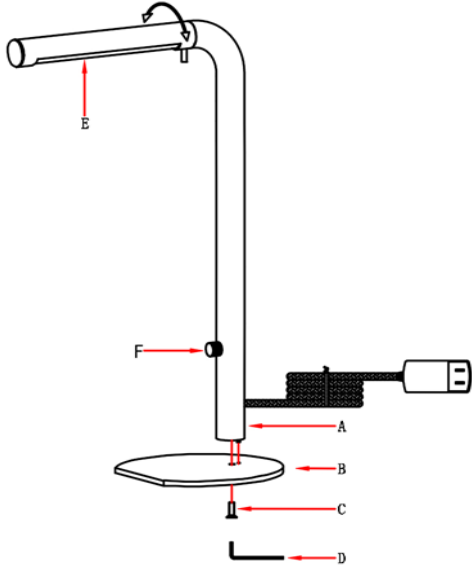


ASSEMBLY INSTRUCTIONS

ITEM DESCRIPTION:

ITEM NO.: 49541	NAME: Sadie Lamp
MATERIAL TYPE: Steel	FINISH: English Bronze
SOCKET TYPE: Integrated LED	SOCKET QTY: 1
BULB WATTAGE: 9 W	
VOLTAGE: 110-120 V	ITEM NET WEIGHT: 5LBS



PARTS INCLUDED:

Lamp Body (A)	Qty: 1
Lamp Base (B)	Qty: 1
Set Screw (C)	Qty: 1
Allen Wrench (D)	Qty: 1
Shade (E)	Qty: 1
Switch (F)	Qty: 1

PRE-ASSEMBLY:

- Remove all parts and hardware from box along with any plastic protecting packaging.
- Do not discard any contents until after assembly is complete to avoid accidentally discarding small parts or hardware.



TO ASSEMBLE:

- Attach the set screw (C) onto the lamp base (B) with allen wrench (D), and tighten it with a screwdriver.
- The direction of the shade (E) can be adjusted left and right.
- Turn the switch (F) clockwise or counterclockwise to adjust the brightness of the light source.

CARE INSTRUCTIONS:

- Clean with soft, dry cloth.
- Always avoid the use of harsh chemicals or abrasive cleaners as they may cause damage to the lamp.

IMPORTANT SAFETY INSTRUCTIONS:

For safety purposes, this lamp is equipped with a polarized plug (one blade is wider than the other) (For North America Customers Only). If the plug does not fit securely into your outlet, do not force it – contact a professional electrician. Use the plug with an extension cord only if it can be fully inserted into the cord's socket. Never alter the plug in any way. This instruction is provided for your safety. It is important that it is read carefully and completely before assembling the fixture.

To avoid risk of fire, do not exceed the recommended wattage.

WARNING:

- To reduce the risk of fire, electrical shock, or personal injury, always turn off and unplug lamp and allow it to cool prior to replacing the bulb.
- Do not touch bulb when fixture is turned on. Do not look directly at lit bulb.
- Keep flammable materials away from lit bulb.

For customer service questions call 1-800-338-2150

ARTERIO RS