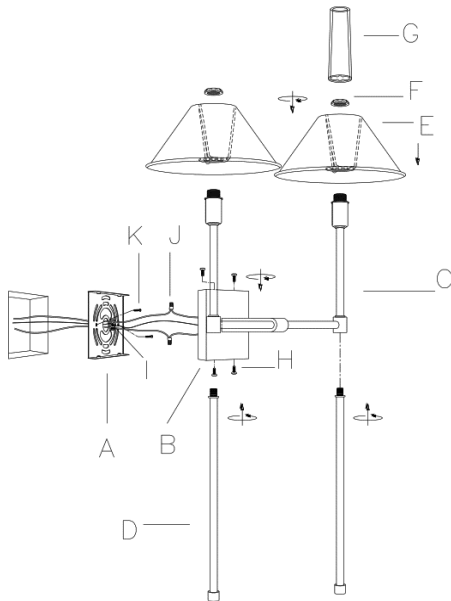


ASSEMBLY INSTRUCTIONS

ITEM DESCRIPTION:

ITEM NO.: 49054	NAME: Havana Sconce
MATERIAL TYPE: Steel	FINISH: Antique Brass
SOCKET TYPE: E12	SOCKET QTY: 2
BULB WATTAGE: 40W/10W CFL/9W LED	
VOLTAGE: 110-120V	ITEM NET WEIGHT: 4LBS



PARTS INCLUDED:

(A) MOUNTING PLATE	1 PC	(F) SOCKET RING	2 PCS
(B) BACK PLATE	1 PC	(G) SOCKET DRIVER	1 PC
(C) MAIN BODY	1 PC	(H) PLATE SCREW	4 PCS
(D) ROD	2 PCS	(I) GREEN GROUND SCREW	1 PC
(E) SHADE	2 PCS		

HARDWARE INCLUDED:

Mounting Screws	Qty: 2
Plastic Wire Connector	Qty: 1

TOOLS NEEDED (Not Included):

1 Screwdriver

These instructions are provided for safety. It is very important that they are read carefully and completely before beginning installation.

We strongly suggest that all hard-wired fixtures must be installed by a professional electrician.



TO ASSEMBLE:

1. REMOVE ALL PACKING CONTENTS AND PARTS FROM THE CARTON(S) CAREFULLY
2. PLEASE BE SURE YOU HAVE ALL PARTS INDICATED BEFORE YOU BEGIN ASSEMBLY
3. TURN OFF POWER TO THE JUNCTION BOX WHERE THE LAMP WILL BE INSTALLED
4. SCREW THE ROD(D) ONTO THE BOTTOM OF MAIN BODY(C) TILL TIGHT. REPEAT THE SAME OPERATION ON THE ANOTHER PIECE.
5. REMOVE THE MOUNTING PLATE (A) FROM THE BACK PLATE (B) BY LOOSE PLATE SCREWS(H)
6. PULL THE ELECTRICAL CORD OF "J BOX" THROUGH THE EXIT HOLE OF THE MOUNTING PLATE(A)
7. ATTACH THE GROUND WIRE FROM THE FIXTURE TO THE GROUND JUNCTION BOX WIRE FROM THE OUTLET (USUALLY GREEN OR BARE WIRE). FASTEN EACH TOGETHER WITH A PLASTIC WIRE CONNECTOR (J) AND WRAP THE CONNECTION WITH ELECTRICAL TAPE. IF YOUR OUTLET BOX DOES NOT HAVE A GROUND WIRE, INSERT THE GREEN GROUND SCREW(I) INTO THE MOUNTING PLATE (A) FACING DOWN, AND WRAP THE FIXTURE'S BARE GROUND WIRE AROUND THE GROUND SCREW. IT IS IMPERATIVE THAT THE OUTLET BOX IN YOUR HOME BE PROPERLY GROUNDED.
8. CONNECT THE NEUTRAL FIXTURE WIRE TO THE NEUTRAL JUNCTION BOX WIRE (USUALLY WHITE). FASTEN EACH TOGETHER WITH A WIRE CONNECTOR (J) AND WRAP THE CONNECTION WITH ELECTRICAL TAPE. BE SURE NO STRANDS ARE EXPOSED.
9. CONNECT THE HOT FIXTURE WIRE TO THE HOT JUNCTION BOX WIRE (USUALLY BLACK). FASTEN EACH TOGETHER WITH A PLASTIC WIRE CONNECTOR (J) AND WRAP THE CONNECTION WITH ELECTRICAL TAPE. BE SURE NO WIRE STRANDS ARE EXPOSED. DO NOT REVERSE THE HOT AND NEUTRAL CONNECTIONS OR SAFETY WILL BE COMPROMISED.
10. GENTLY TUCK THE WIRE CONNECTIONS NEATLY INTO THE CEILING JUNCTION BOX.
11. ATTACH THE MOUNTING PLATE (A) TO THE OUTLET BOX USING THE MOUNTING SCREWS(K). TIGHTEN WITH A SCREWDRIVER(L).
12. ATTACH THE BACK PLATE(B) TO THE MOUNTING PLATE(A) USING THE ENCLOSED PLATE SCREWS(H). TIGHTEN SCREWS WITH A SCREWDRIVER(L).
13. UNSCREW THE SOCKET RING(F) OFF THE SOCKET. PLACE THE SHADE(E) ON THE SOCKET AND SECURE WITH SOCKET RING(F) TILL TIGHT. REPEAT THE SAME OPERATION ON THE ANOTHER SHADE.
14. INSTALL TWO TYPE B 40W BULBS (OR CFL 10W/LED 9W BULBS, NOT INCLUDED) INTO THREADED SOCKET. DO NOT EXCEED SPECIFIED WATTAGE.

CARE INSTRUCTIONS:

Wipe with a soft, dry cloth. To protect finish, avoid the use of chemicals and household cleaners.

For customer service questions call 1-800-338-2150

ARTERIOURS