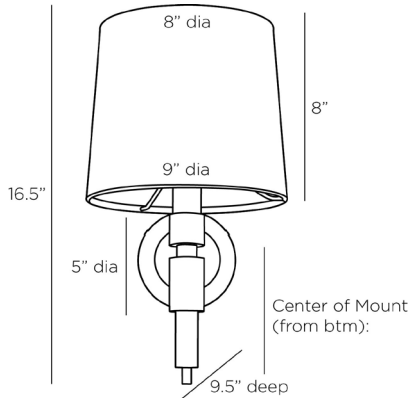


# ARTERIOS

## ALLMAN SCONCE



DWI09-107  
H: 16.5 IN, W: 9 IN, D: 9.5 IN  
Bronze  
Contract Suitable As Is

Taking the machined form of wood turned on a lathe into a modernist dimension, the Allman features a pairing of limewashed mango wood and bronze finish. Mounted on a circular bronze finished iron backplate, this fixture's sleek profile adapts itself to any aesthetic. Damp-rated, although limited covered outdoor conditions may affect finish. Finish will vary.

### APPEARANCE

Material	Cotton, Iron, Linen, Wood
Material Type	Mango
Finish	Limed Wash, White
Finish Will Vary	true
Top Coat/Sealant	true

### DIMENSIONS

Center Of Mount From Btm	6.5 IN
Shade	Top: 8.00 IN, Dia: 9.00 IN, Side: 8 IN
Backplate	Dia: 5.00 IN, D: 1 IN

### WIRING

Rating	Damp
Certification Note	CANNOT BE REWIRED FOR INTL USE.
Suggested Bulb Type	G16.5
Cord	0.5 FT, Clear/Silver, SPT-2
Socket	1, Type B - E12
Photographed Bulb	2" Frosted Globe Bulb
Maximum Watt	40
Voltage	110-120 V

### CERTIFICATIONS

Certifications	Mexico United States, Canada
----------------	---------------------------------

### COMPLIANCY

UL/ETL	Yes
RoHS	true

### SHIPPING

Product Weight	5 LBS
Gross Weight 1	11.9 LBS
Gross Weight 2	5 LBS
Shipping Box 1	H: 8 IN, L: 11.5 IN, W: 28 IN
Shipping Box 2	H: 34.3 IN, L: 19.7 IN, W: 19.7 IN

### ADDITIONAL INFO

Hanging Orientation	Horizontal Only
---------------------	-----------------

### CONTRACT

Contract Suitable	true
-------------------	------