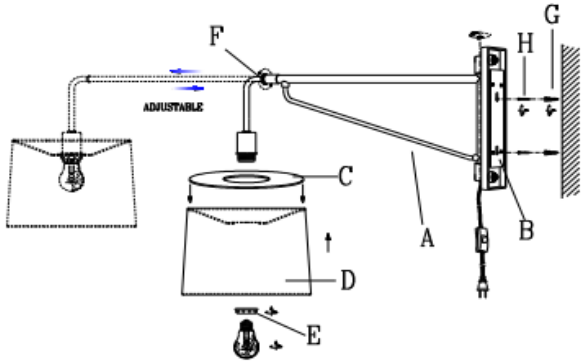


ASSEMBLY INSTRUCTIONS

ITEM DESCRIPTION:

ITEM NO.: 49639-730	NAME: Anthony Sconce
MATERIAL TYPE: Steel, Cotton, Linen	FINISH: Bronze, Antique Brass, White
SOCKET TYPE: E26	SOCKET QTY: 1
BULB WATTAGE: 60 W	
VOLTAGE: 110-120 V	ITEM NET WEIGHT: 8.5LBS



PARTS INCLUDED:

Main Body (A)
Mounting Plate (B)
Diffuser (C)
Shade (D)
Socket Ring (E)
Set Ring (F)

HARDWARE INCLUDED:

Anchor (G)
Mounting Screws (H)

TOOLS NEEDED (Not Included):

1 Screwdriver

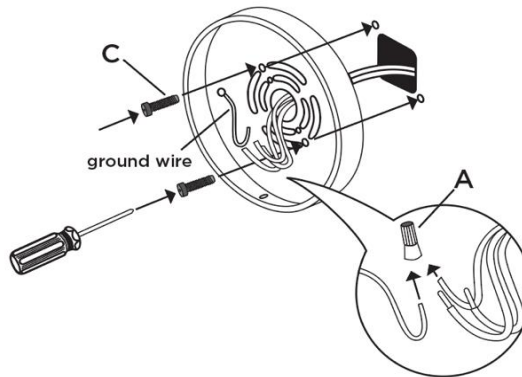
These instructions are provided for safety. It is very important that they are read carefully and completely before beginning installation of this chandelier.

We strongly suggest that all hard-wired fixtures must be installed by a professional electrician.



TO ASSEMBLE:

1. Place the main body (A) against the wall at the desired mounting location. Mark the location of the mounting holes on the wall using a pencil.
2. Place a screwdriver into the recess of the wall anchor (G), turning clockwise until the flange touches the wall.
3. Use a screwdriver to put the mounting screws (H) into the wall anchor until tight.
4. Hang the main body (A) on the mounting screws (H), making sure the body is properly secured.
5. Unscrew the socket ring (E) off the socket.
6. Attach the diffuser (C) and shade (D) on the socket, and tighten the socket ring (E) to secure the shade.
7. Insert 1 type A 60 W bulb or CFL 16 W or LED 13 W bulb (not included) into the socket.



CARE INSTRUCTIONS:

Wipe with a soft, dry cloth. To protect finish, avoid the use of chemicals and household cleaners.

For customer service questions call 1-800-338-2150

ARTERIO RS