

ASSEMBLY INSTRUCTIONS

ITEM DESCRIPTION:

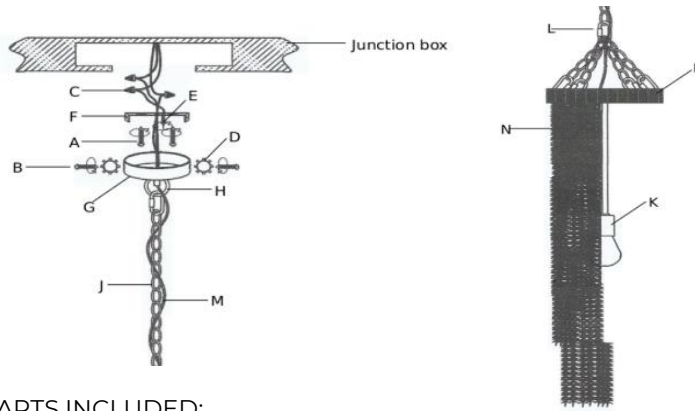
ITEM NO: DPS06 NAME: Baja Pendant

MATERIAL TYPE: Coco Shell FINISH: Natural

SOCKET TYPE: E26 SOCKET QTY: 1

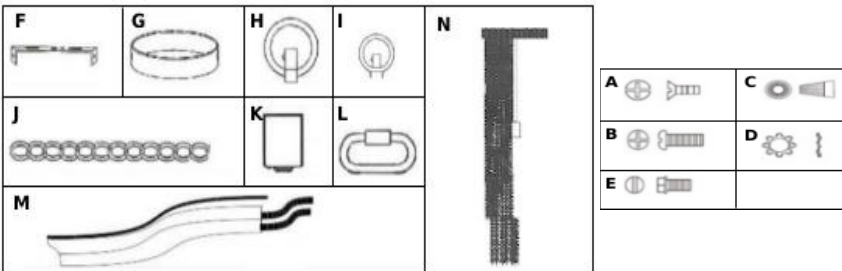
BULB WATTAGE: 60W/16W CFL/13W LED

VOLTAGE: 110-120V ITEM NET WEIGHT: 9.3LBS



PARTS INCLUDED:

(F) Mounting Plate	Qty: 1	(K) Socket	Qty: 1
(G) Canopy	Qty: 1	(L) Quick Link	Qty: 6
(H) Canopy Loop	Qty: 1	(M) Fixture Wire	Qty: 1
(I) Pendant Loop	Qty: 4	(N) Shade	Qty: 1
(J) Chain	Qty: 5		



HARDWARE INCLUDED:

(A) Mounting Screw	2 Pc	(D) Star Washers	2 Pc
(B) Canopy Screw	2 Pc	(E) Green Ground Screw	1 Pc
(C) Plastic Wire Connector	3 Pc		

TO INSTALL YOU WILL NEED:

- 2 people recommended
- Phillips Screwdriver
- Plier
- Ladder
- Wire Cutter / Stripper
- Electrical Tape

These instructions are provided for safety. It is very important that they are read carefully and completely before beginning installation.

This product must be installed in accordance with the applicable installation codes by a person familiar with the construction and operation of the product and the hazards involved.

The lighting fixture is meant for indoor use. DRY LOCATIONS ONLY.

We strongly suggest that all hard-wired fixtures must be installed by a professional electrician.

For customer service questions call 1-800-338-2150



TO ASSEMBLE:

1. Shut off the main electrical supply from the main fuse box / circuit breaker.
2. Carefully unpack all fixture parts and hardware and lay them on a soft surface for assembly.
3. Gently pull wiring down from ceiling junction and allow to hang.
4. Remove mounting plate from the canopy by unscrewing the canopy screws.
5. Carefully inspect the pendant's fixture wires. Neutral fixture wire: has ridges molded on the outside insulation. Hot fixture wire: has insulation that is smooth. Ground wire: bare copper wire.
6. Wrap ground wire of lamp assembly and ground wire of junction box together and fasten together with a plastic wire connector and wrap the connection with electrical tape.
7. Attach the the neutral fixture wire from the pendant to the neutral junction box wire (usually white). Fasten each together with a plastic wire connector and wrap the connection with electrical tape.
8. Attach the hot fixture wire from the pendant to the hot junction box wire (usually black). Fasten each together with a plastic wire connector and wrap the connection with electrical tape. DO NOT REVERSE THE HOT AND NEUTRAL CONNECTIONS OR SAFETY WILL BE COMPROMISED.
9. Gently tuck the wire connections neatly into the ceiling junction box.
10. Place the mounting plate over the center of the ceiling junction box..
11. Align holes in the mounting plate with holes in junction box and attach with two mounting screws. Secure screws with a Phillips head screwdriver.
12. Attach the canopy to the mounting plate. Align the holes of the side portions of the mounting plate with the holes located in the side of the canopy. Using a screwdriver insert the canopy screws and star washers through each hole of the canopy and into threaded engagement with the mounting plate. Do not over-tighten the screws.
13. Restore power to junction box and test fixture. Insert 1 60-watt maximum E26 standard bulb (not included) into fixture. DO NOT EXCEED SPECIFIED WATTAGE OF PENDANT.

CARE INSTRUCTIONS:

Wipe with a soft, dry cloth. To protect finish, avoid the use of chemicals and household cleaners.

ARTERIO RS