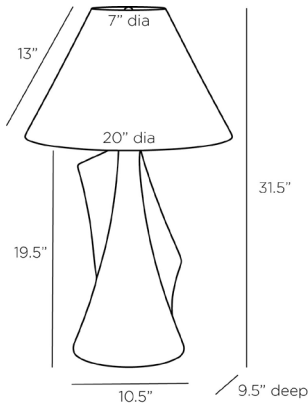


ARTERIOS

BRUCE LAMP



PTC22-SH032
 H: 31.5 IN, Dia: 20.00 IN
 Ivory, Glass Stone
 Contract Suitable As Is

An organic base of ivory glass stone composite is a piece of modernist sculpture for your desktop. The Bruce's free-flowing form is finished on either side with irregular "fins" to intrigue the eye. Accented with a support and finial sphere finished in antique brass, it is topped with a shade of ivory cotton and finished with a taupe cord. Three-way rotary switch. Finish will vary.

APPEARANCE

Material	Cotton, Glass Stone, Microfiber, Steel
Finish	Antique Brass, Off-White
Finish Will Vary	true
Top Coat/Sealant	true
Finial Description	Antique Brass Sphere
Finial Dimension	1" Sphere

DIMENSIONS

Shade	Top: 7.00 IN, Dia: 20.00 IN, Side: 13 IN
Body	H: 19.5 IN, W: 10.5 IN, D: 9.5 IN
Neck	H: 2 IN, Dia: 1.00 IN
Foot Print	Dia: 9.50 IN
Harp	9" Antique Brass IN

WIRING

Rating	Indoor Only
Tilt Test	10 Degrees - AU
Cord	10 FT, Back of Lamp Base, Taupe Fabric
Socket	1, Antique Brass, Type A - E26
Switch	3-Way Rotary, At Socket
Maximum Watt	150
Voltage	110-120 V

CERTIFICATIONS

Certifications	Mexico Australia, United Arab Emirates, United Kingdom, United States, Canada
----------------	--

COMPLIANCY

UL/ETL	Yes
CB	Yes
RoHS	true

SHIPPING

Product Weight	21.7 LBS
Gross Weight 1	28 LBS
Shipping Box 1	H: 28.5 IN, L: 14.5 IN, W: 14.5 IN
Shipping Box 2	H: 34 IN, L: 20.5 IN, W: 20.5 IN

ADDITIONAL INFO

Shade Shape	Round
Shade Trim	Rolled Edges
Shade Type	Hardback

CONTRACT

Contract Suitable	true
-------------------	------