

ASSEMBLY INSTRUCTIONS

ITEM DESCRIPTION:

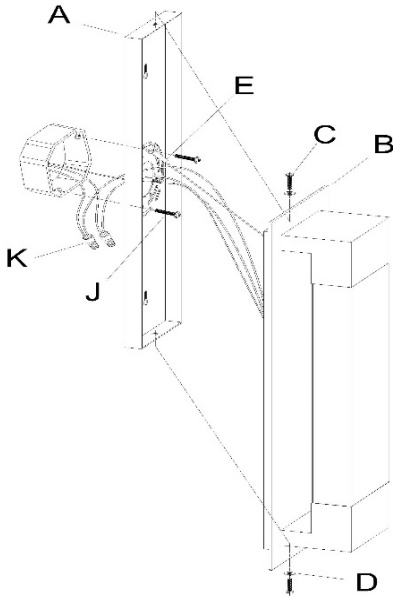
ITEM NO.: 49367 NAME: Charlie Outdoor Sconce

MATERIAL TYPE: Crystal FINISH: Clear/Frosted

SOCKET TYPE: Integrated LED SOCKET QTY: 2

BULB WATTAGE: 8W

VOLTAGE: 110-120V ITEM NET WEIGHT: 14LBS



PARTS INCLUDED:

A) MOUNTING PLATE	Qty: 1	D) RUBBER WASHER	Qty: 2
B) LAMP BODY	Qty: 1	E) STEEL WIRE ROPE	Qty: 1
C) SET SCREWS	Qty: 2		

HARDWARE INCLUDED:

J) Mounting Screws	Qty: 2
K) Plastic Wire Connector	Qty: 1

TOOLS NEEDED (Not Included):

1 Screwdriver

These instructions are provided for safety. It is very important that they are read carefully and completely before beginning installation.

We strongly suggest that all hard-wired fixtures must be installed by a professional electrician.

For customer service questions call 1-800-338-2150



TO ASSEMBLE:

1. REMOVE ALL PACKING CONTENTS AND PARTS FROM THE CARTON(S) CAREFULLY
2. PLEASE BE SURE YOU HAVE ALL PARTS INDICATED BEFORE YOU BEGIN ASSEMBLY
3. SHUT OFF THE MAIN ELECTRICAL SUPPLY FROM THE MAIN FUSE BOX/CIRCUIT BREAKER.
4. GENTLY PULL THE ELECTRICAL CORD FROM JUNCTION BOX, THEN PULL THE ELECTRICAL CORD FROM BACK PLATE THROUGH THE EXIT HOLE OF THE MOUNTING PLATE(A)
5. ATTACH THE GROUND WIRE FROM THE FIXTURE TO THE GROUND JUNCTION BOX WIRE FROM THE OUTLET (USUALLY GREEN OR BARE WIRE). FASTEN EACH TOGETHER WITH A PLASTIC WIRE CONNECTOR (K) AND WRAP THE CONNECTION WITH ELECTRICAL TAPE. IF YOUR OUTLET BOX DOES NOT HAVE A GROUND WIRE, INSERT THE GREEN GROUND SCREW INTO THE MOUNTING PLATE (A) FACING DOWN, AND WRAP THE FIXTURE'S BARE GROUND WIRE AROUND THE GROUND SCREW. IT IS IMPERATIVE THAT THE OUTLET BOX IN YOUR HOME BE PROPERLY GROUNDED.
6. CONNECT THE NEUTRAL FIXTURE WIRE TO THE NEUTRAL JUNCTION BOX WIRE (USUALLY WHITE). FASTEN EACH TOGETHER WITH A WIRE CONNECTOR (K) AND WRAP THE CONNECTION WITH ELECTRICAL TAPE. BE SURE NO STRANDS ARE EXPOSED
7. CONNECT THE HOT FIXTURE WIRE TO THE HOT JUNCTION BOX WIRE (USUALLY BLACK). FASTEN EACH TOGETHER WITH A PLASTIC WIRE CONNECTOR (K) AND WRAP THE CONNECTION WITH ELECTRICAL TAPE. BE SURE NO WIRE STRANDS ARE EXPOSED. DO NOT REVERSE THE HOT AND NEUTRAL CONNECTIONS OR SAFETY WILL BE COMPROMISED.
8. GENTLY TUCK THE WIRE CONNECTIONS NEATLY INTO THE JUNCTION BOX.
9. ATTACH THE MOUNTING PLATE (A) TO THE OUTLET BOX BY USING THE MOUNTING SCREWS(J) AND TIGHTEN SCREWS(J) WITH A SCREWDRIVER.
10. DUE TO HEAVY OF LAMP BODY, ATTACH THE STEEL WIRE ROPE(E) INTO THE HOLE OF MOUNTING PLATE(A) FOR EASY ASSEMBLY
11. ATTACH THE LAMP BODY(B) TO THE MOUNTING PLATE(A) BY USING THE ENCLOSED SET SCREWS(C) AND PLASTIC WASHER(D). TIGHTEN SCREWS WITH SCREWDRIVER. BEFORE ASSEMBLING, IT IS IMPORTANT THAT PLS BE ENSURE TO PUT RUBBER WASHER(E) ON THE TOP THREADING OF SET SCREWS(C). IN CASE THE WATER ENTERING THE J-BOX AND CAUSING A SHORT CIRCUIT.
12. USE THE OUTDOOR SILICONE CAULKING COMPOUND TO CAULK COMPLETELY ALONG THE RIM OF BACK PLATE (B) WHERE IT MEETS THE WALL SURFACE, SEE MORE DETAILS ON NEXT PAGE.
13. RESTORE POWER TO THE JUNCTION BOX AND TEST FIXTURE.

CARE INSTRUCTIONS:

Wipe with a soft, dry cloth. To protect finish, avoid the use of chemicals and household cleaners.

ARTERIO RS