

# ASSEMBLY INSTRUCTIONS

## ITEM DESCRIPTION:

ITEM NO.: 49371

NAME: Savion Sconce

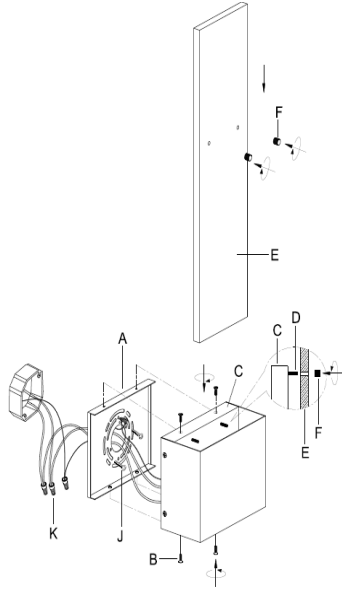
MATERIAL TYPE: Alabaster, Steel FINISH: White, Bronze

SOCKET TYPE: Integrated LESOCKET QTY: 1

BULB WATTAGE: 8W LED

VOLTAGE: 110-120V

ITEM NET WEIGHT: 9.5LBS



## PARTS INCLUDED:

Mounting Plate ( A ) Qty: 1

Set Screws ( B ) Qty: 4

Lamp Body ( C ) Qty: 1

Threaded Screw (D) Qty: 2

Snow Marble (E) Qty: 1

Knobs (F) Qty: 2

## HARDWARE INCLUDED:

Mounting Screws ( J )

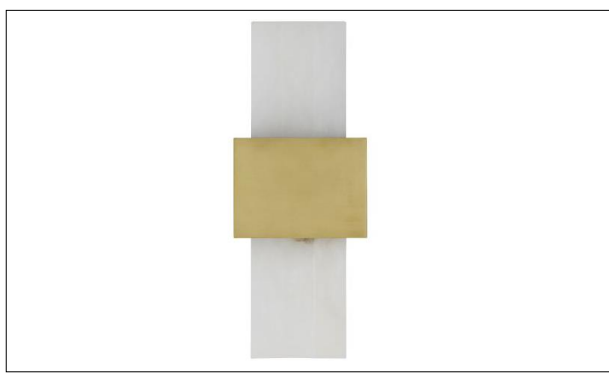
Plastic Wire Connector ( K )

## TO INSTALL YOU WILL NEED:

- 2 people recommended
- Phillips Screwdriver

These instructions are provided for safety. It is very important that they are read carefully and completely before beginning installation of this chandelier.

We strongly suggest that all hard-wired fixtures must be installed by a professional electrician.



## TO ASSEMBLE:

1. Remove all packing contents and parts from the carton(s) carefully.
2. Please be sure you have all parts indicated before you begin assembly.
3. Shut off the main electrical supply from the main fuse box/circuit breaker.
4. Pull the electrical cord of "j box" through the exit hole of the mounting plate(a)
5. Attach the ground wire from the fixture to the ground junction box wire from the outlet (usually green or bare wire). Fasten each together with a plastic wire connector (k) and wrap the connection with electrical tape. If your outlet box does not have a ground wire, insert the green ground screw into the mounting plate (a) facing down, and wrap the fixture's bare ground wire around the ground screw. It is imperative that the outlet box in your home be properly grounded.
6. Connect the neutral fixture wire to the neutral junction box wire (usually white). Fasten each together with a wire connector (k) and wrap the connection with electrical tape. Be sure no strands are exposed.
7. Connect the hot fixture wire to the hot junction box wire (usually black). Fasten each together with a plastic wire connector (k) and wrap the connection with electrical tape. Be sure no wire strands are exposed. Do not reverse the hot and neutral connections or safety will be compromised.
8. Gently tuck the wire connections neatly into the junction box.
9. Attach the mounting plate (a) to the outlet box by using the mounting screws(j), tighten screws(j) with a screwdriver.
10. Attach the lamp body(c) to the mounting plate(a) by using the enclosed set screws(b). secure the back plate by tightening 4 set screws(b)
11. Attach snow marble(e) into threaded screws(d) of the lamp body(c), and then tighten the snow marble(e) by knobs(f) to secure the snow marble.
12. Restore power to the junction box and test fixture.

## CARE INSTRUCTIONS:

Wipe with a soft, dry cloth. To protect finish, avoid the use of chemicals and household cleaners.

For customer service questions call 1-800-338-2150

ARTERIO RS