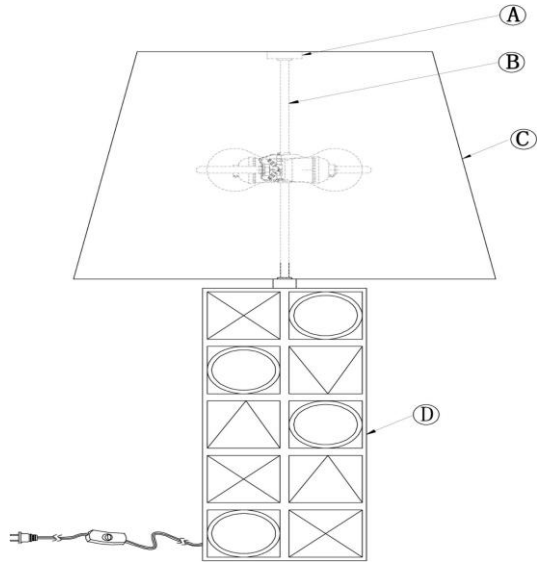


ASSEMBLY INSTRUCTIONS

ITEM DESCRIPTION:

ITEM NO.: GKPTC02-SH019	NAME: Empire Lamp
MATERIAL TYPE: Riverstone	FINISH: Ivory
SOCKET TYPE: E26	SOCKET QTY: 2
BULB WATTAGE: 60W/13W CFL/5W LED	
VOLTAGE: 110V-120V	ITEM NET WEIGHT: 15.5LBS



PARTS INCLUDED:

Finial (A)	Qty: 1
Heading Pipe (B)	Qty: 1
Shade (C)	Qty: 1
Body (D)	Qty: 1



TO ASSEMBLE:

1. Place the lamp body (D) on a flat, stable surface
2. Attach heading pipe (B) to the lamp body (D)
3. Place shade (C) on top of heading pipe (B)
4. Place finial (A) onto heading pipe (B) and tighten clockwise to secure shade (C)

CARE INSTRUCTIONS:

- Clean with soft, dry cloth.
- Always avoid the use of harsh chemicals or abrasive cleaners as they may cause damage to the lamp.

IMPORTANT SAFETY INSTRUCTIONS:

For safety purposes, this lamp is equipped with a polarized plug (one blade is wider than the other) (For North America Customers Only). If the plug does not fit securely into your outlet, do not force it – contact a professional electrician. Use the plug with an extension cord only if it can be fully inserted into the cord's socket. Never alter the plug in any way. This instruction is provided for your safety. It is important that it is read carefully and completely before assembling the fixture. To avoid risk of fire, do not exceed the recommended wattage.

WARNING:

- To reduce the risk of fire, electrical shock, or personal injury, always turn off and unplug lamp and allow it to cool prior to replacing the bulb.
- Do not touch bulb when fixture is turned on. Do not look directly at lit bulb.
- Keep flammable materials away from lit bulb.

PRE-ASSEMBLY:

- Remove all parts and hardware from box along with any plastic protecting packaging
- Do not discard any contents until after assembly is complete to avoid accidentally discarding small parts or hardware.

For customer service questions call 1-800-338-2150

ARTERIOORS