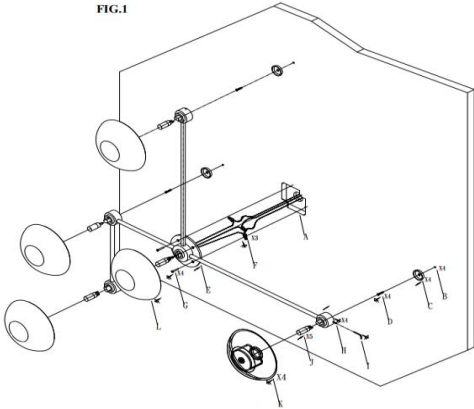


# ASSEMBLY INSTRUCTIONS

## ITEM DESCRIPTION:

ITEM NO.: DA49007	NAME: Glaze Sculptural Sconce
MATERIAL TYPE: Ceramic	FINISH: Ivory Stained Crackle
SOCKET TYPE: G9	SOCKET QTY: 5
BULB WATTAGE: 25 W	
VOLTAGE: 110-120 V	ITEM NET WEIGHT: 14 LBS

FIG.1



## PARTS INCLUDED:

Mounting Plate ( C )	Qty: 1 Pc
Metal Plate ( H )	Qty: 1 Pc
Ceramic Shade ( L )	Qty: 5 Pc

## HARDWARE INCLUDED:

Self-Tapping Screw ( D )

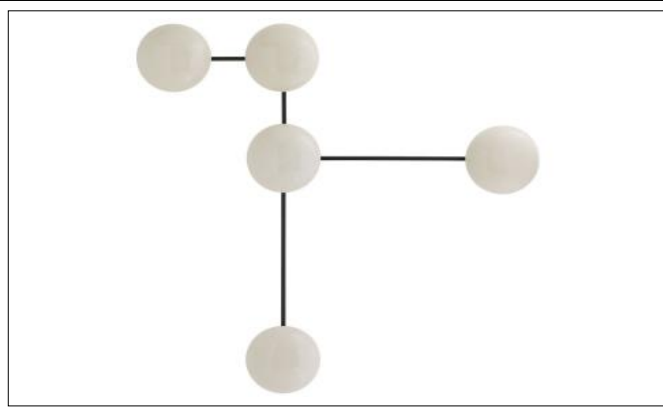
## TOOLS NEEDED (Not Included):

1 Screwdriver

These instructions are provided for safety. It is very important that they are read carefully and completely before beginning installation of this

We strongly suggest that all hard-wired fixtures must be installed by a professional electrician.

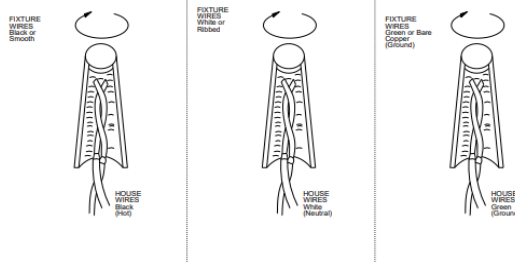
For customer service questions call 1-800-338-2150



## TO ASSEMBLE:

1. Shut off the main electrical supply from the main fuse box/circuit breaker.
2. Position the mounting plate on the wall and mark the location of the mounting holes. Drill the holes in the wall and then insert the plastic anchors.
3. Attach the mounting plate (C) to the wall junction box using the enclosed self-tapping screw (D) and tighten the screw with a screwdriver.
4. Connect the electrical wires as shown in Fig. 2, make sure that all wire connectors are secured. If your outlet has a ground wire (green or bare copper), connect the fixture's ground wire to it. Otherwise, connect the fixture's ground wire directly to the circular strap using the green screw provided. Tuck the wire connections neatly into the outlet box.
5. Fix the fixture (E) to the wall by using the enclosed four screws (G).
6. Attach the metal plate (H) to the mounting plate (C) by using the screw and tighten the screws with the spanner.
7. Screw the ceramic shades (L) to the socket accent one by one.
8. Restore power to junction box and test fixture. DO NOT EXCEED SPECIFIED MAX WATTAGE.

FIG.2



## CARE INSTRUCTIONS:

Wipe with a soft, dry cloth. To protect finish, avoid the use of chemicals and household cleaners.

ARTERIOS