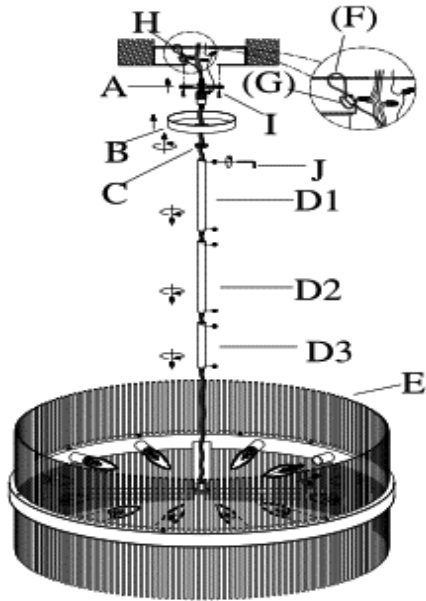


ASSEMBLY INSTRUCTIONS

ITEM DESCRIPTION:

ITEM NO.: 89093	NAME: Hozier Chandelier
MATERIAL TYPE: Steel	FINISH: Antique Brass, Bronze
SOCKET TYPE: E12 Other	SOCKET QTY: 12
BULB WATTAGE: 60W/16W CFL/13W LED	
VOLTAGE: 110-120 V	ITEM NET WEIGHT: 53LBS



PARTS INCLUDED:

A Mounting Plate	Qty: 1	F Steel Cable	Qty: 1
B Canopy	Qty: 1	G Lock	Qty: 1
C Collar Loop	Qty: 1		
D Rods	Qty: 3		
E Main Body	Qty: 1		

HARDWARE INCLUDED:

H Plastic Wire Connector	2 Pcs	J Allen Wrench	1 Pc
I Mounting Screws	2 Pc		

TO INSTALL YOU WILL NEED:

- 2 people recommended
- Phillips Screwdriver

These instructions are provided for safety. It is very important that they are read carefully and completely before beginning installation of this chandelier.

We strongly suggest that all hard-wired fixtures must be installed by a professional electrician.



TO ASSEMBLE:

1. REMOVE ALL PACKING CONTENTS AND PARTS FROM THE CARTON(S) CAREFULLY
2. PLEASE BE SURE YOU HAVE ALL PARTS INDICATED BEFORE YOU BEGIN ASSEMBLY
3. SHUT OFF THE MAIN ELECTRICAL SUPPLY FROM THE MAIN FUSE BOX/CIRCUIT BREAKER
4. REMOVE THE MOUNTING PLATE (A) FROM THE CANOPY (B) BY TURNING COLLAR LOOP (C) IN A COUNTER CLOCKWISE DIRECTION.
5. SCREW THE ROD (D3) TO THE TOP MAIN BODY (E), AND TIGHTEN THE HEXANGULAR SCREW IN THE SIDE DESIRE HOLE BY ALLEN WRENCH (H). REPEAT THE SAME OPERATION ON THE ROD (D1) AND (D2).
6. CAREFULLY INSPECT THE PENDANT'S FIXTURE WIRES. THE NEUTRAL FIXTURE WIRE HAS VERY FINE RIDEGS MOLDED INTO ITS PLASTIC COVERING. THE HOT FIXTURE WIRE HAS A SMOOTH COVERING. THE BARE SILVER WIRE IS THE GROUNDED WIRE.
7. ATTACH THE GROUND WIRE FROM THE FIXTURE TO THE GROUND JUNCTION BOX WIRE FROM THE OUTLET (USUALLY GREEN) OR BARE WIRE). FASTEN EACH TOGETHER WITH A PLASTIC WIRE CONNECTOR (F) AND WRAP THE CONNECTION WITH ELECTRICAL TAPE. IF YOUR OUTLET BOX DOES NOT HAVE A GROUND WIRE, INSERT THE GREEN GROUND SCREW INTO THE MOUNTING PLATE (A) FACING DOWN, AND WRAP THE FIXTURE'S BARE GROUND WIRE AROUND THE GROUND SCREW. IT IS IMPERATIVE THAT THE OUTLET BOX IN YOUR HOME BE PROPERLY GROUNDED.
8. CONNECT THE NEUTRAL FIXTURE WIRE TO THE NEUTRAL JUNCTION BOX WIRE (USUALLY WHITE). FASTEN EACH TOGETHER WITH A WIRE CONNECTOR (F) AND WRAP THE CONNECTION WITH ELECTRICAL TAPE. BE SURE NO STRANDS ARE EXPOSED.
9. CONNECT THE HOT FIXTURE WIRE TO THE HOT JUNCTION BOX WIRE (USUALLY BLACK). FASTEN EACH TOGETHER WITH A PLASTIC WIRE CONNECTOR (F) AND WRAP THE CONNECTION WITH ELECTRICAL TAPE. BE SURE NO WIRE STRANDS ARE EXPOSED. DO NOT REVERSE THE HOT AND NEUTRAL CONNECTIONS OR SAFETY WILL BE COMPROMISED.
10. GENTLY TUCK THE WIRE CONNECTIONS NEATLY INTO THE CEILING JUNCTION BOX.
11. ATTACH THE MOUNTING PLATE (A) WITH NIPPLE TO THE CEILING OUTLET BOX USING THE ENCLOSED MOUNTING SCREWS (G) AND TIGHTEN SCREWS WITH A SCREWDRIVER.
12. PUSH COLLAR LOOP IN CANOPY (B) AND THREAD ONTO NIPPLE IN MOUNTING PLATE (A) BY TURNING IN A CLOCKWISE
13. ATTACH THE STEEL CABLE (F) TO THE FIXED FIXTURE (AN APPROPRIATE LOAD BEARING STRUCTURE) ON THE CEILING WITH THE LOCK (G). THIS LUMINAIRE MUST BE MOUNTED OR SUPPORTED INDEPENDENTLY OF AN OUTLET BOX.
14. SCREW ROD (D1) TO CANOPY (B), USING HEXANGULAR SCREW AND ALLEN WRENCH (H). BE SURE ALL THE HEXANGULAR SCREWS ARE TIGHT ENOUGH.
15. INSERT 12 TYPE B 60W BULB (OR SUITABLE CFL/16W, OR LED 13W BULB, NOT INCLUDED) INTO THE SOCKETS.

CARE INSTRUCTIONS:

Wipe with a soft, dry cloth. To protect finish, avoid the use of chemicals and household cleaners.

For customer service questions call 1-800-338-2150

ARTERIORES