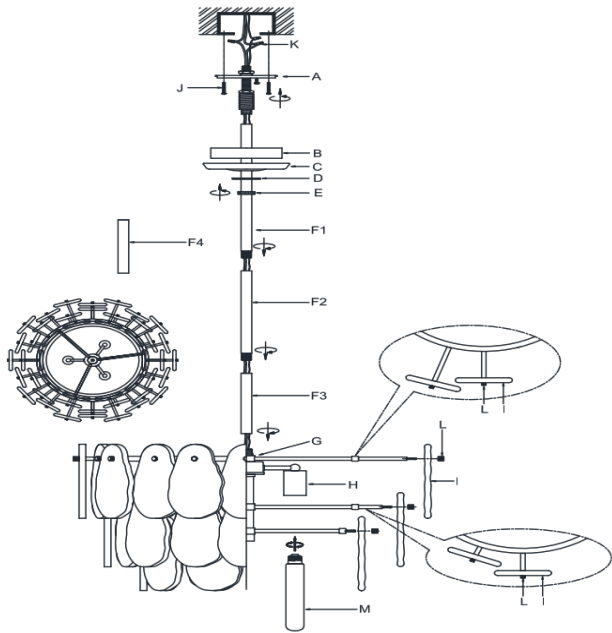


ASSEMBLY INSTRUCTIONS

ITEM DESCRIPTION:

ITEM NO.: 89454	NAME: Leon Chandelier
MATERIAL TYPE: Steel/Seedy Glass FINISH: Antique Brass/Clear	
SOCKET TYPE: E26	SOCKET QTY: 3
BULB WATTAGE: 60W or/CFL 12W or/LED 10W	
VOLTAGE: 110-120 V	ITEM NET WEIGHT: 60LBS



TO ASSEMBLE:

1. Remove all packing contents from the carton(s) carefully. Ensure you have all parts indicated before you begin assembly.
2. Shut off the main electrical supply from the main fuse box/circuit breaker.
3. Connect lamp body(g) and canopy(b)with rods (f1, f2, f3, f4). Note: if you want the fixture to be semi-flush mount, you only need connect lamp body(e) and canopy (b) with rod(f4).
4. Remove the mounting plate(a)from the canopy(b)by turning collar loop (c) in a counterclockwise direction.
5. Pull the electrical cord of "j-box" through the exit hole of the mounting plate.
6. Carefully inspect the pendant's fixture wires. The neutral fixture wire has very fine ridges molded into its plastic covering. The hot fixture wire has a smooth covering. The bare silver wire is the grounded wire.
7. Attach the ground wire from the fixture to the ground junction box wire from the outlet (usually green or bare wire). Fasten each together with a plastic wire connector (k) and wrap the connection with electrical tape. If your outlet box does not have a ground wire, insert the green ground screw(h)into the mounting plate (a) facing down, and wrap the fixture's bare ground wire around the ground screw. It is imperative that the outlet box in your home be properly grounded.
8. Connect the neutral fixture wire to the neutral junction box wire (usually white). Fasten each together with a wire connector (k) and wrap the connection with electrical tape. Be sure no strands are exposed.
9. Connect the hot fixture wire to the hot junction box wire (usually black). Fasten each together with a plastic wire connector (k) and wrap the connection with electrical tape. Be sure no wire strands are exposed. Do not reverse the hot and neutral connections or safety will be compromised.
10. Gently tuck the wire connections neatly into the ceiling junction box.
11. Attach the mounting plate (a) with nipple to the ceiling outlet box using the enclosed mounting screws (j) and tighten screws with a screwdriver.
12. Push collar loop (e), flat washer(d), glass dish(c) in canopy (b) and thread onto nipple in mounting plate (a) by turning in a clockwise.
13. Insert 3 type a 60w bulb (or cfl 12w or led 10w, not included) into the sockets(h).do not exceed specified wattage.
14. Attached the glass (i) through the pipe and thread the turn-knobs(l) to tight to secure the glass shade. Note: starting at the bottom of the glass.
15. Restore power to the junction box and test fixture.

PARTS INCLUDED:

A MOUNTING PLATE	1 PC	G LAMP BODY	1 PC
B CANOPY	1 PC	H SOCKETS	3 PCS
C GLASS DISH	1 PC	I GLASS	46 PCS
D FLAT WASHER	1 PC	L TURN-KNOBS	46 PCS
E COLLAR LOOP	1 PC	M BULBS(NOT INCL.)	1 PC
F RODS	4 PCS		

HARDWARE INCLUDED:

K Plastic Wire Connector	2 Pcs	Allen Wrench	1 Pc
J Mounting Screws	2 Pc		
Green Ground Screw	1 Pc		

TO INSTALL YOU WILL NEED:

- 2 people recommended
- Phillips Screwdriver

These instructions are provided for safety. It is very important that they are read carefully and completely before beginning installation of this chandelier.

We strongly suggest that all hard-wired fixtures must be installed by a professional electrician.

CARE INSTRUCTIONS:

Wipe with a soft, dry cloth. To protect finish, avoid the use of chemicals and household cleaners.

For customer service questions call 1-800-338-2150

ARTERIO RS