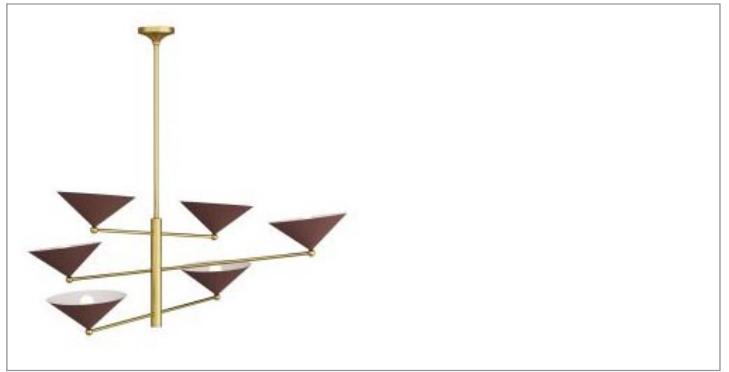


ASSEMBLY INSTRUCTIONS

ITEM DESCRIPTION:

ITEM NO.: DLC21 NAME: Mcvey Chandelier
MATERIAL TYPE: Steel FINISH: Antique Brass&enamel red
SOCKET TYPE: E12 Ceramic SOCKET QTY: 6
BULB WATTAGE: G 60W/LED13W VOLATGE: 110V-120V
ITEM NET WEIGHT: 15.4 LBS



TO ASSEMBLE:

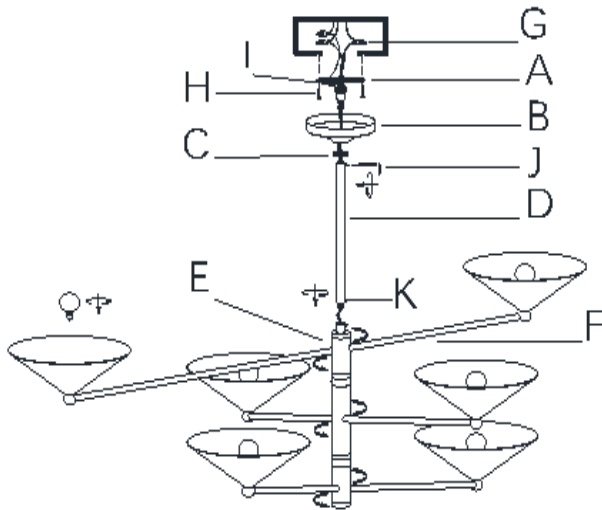
1. Shut off the main electrical supply from the main fuse box/circuit breaker.
2. Carefully unpack all fixture parts and hardware and lay them on a soft surface for assembly.
3. Gently pull wiring down from ceiling junction box and allow to hang.
4. Remove mounting plate(A) from the canopy(B) by unscrewing the collarloop(C).
5. Screw the rod(D) on the column (E) till tight. Tighten the hexangular screw(K) in the side desired hole by allen wrench(J). (NOTE: Total 4pcs rods, the suspension height can be adjusted by quantity of rods).
6. Carefully inspect the pendant's fixture wires.
Neutral fixture wire: White
Hot fixture wire: Black
Ground wire: Green
7. Wrap ground wire of lamp assembly and ground wire of junction box together and fasten together with a wire nut and wrap the connection with electrical tape.
8. Attach the neutral fixture wire from the pendant to the neutral junction box wire (usually white). Fasten each together with a wire nut and wrap the connection with electrical tape.
9. Attach the hot fixture wire from the pendant to the hot junction box wire (usually black). Fasten each together with a wire nut and wrap the connection with electrical tape.
DO NOT REVERSE THE HOT AND NEUTRAL CONNECTIONS OR SAFETY WILL BE COMPROMISED.
10. Gently tuck the wire connections neatly into the ceiling junction box.
11. Place the mounting plate over the center of the ceiling junction box.
12. Align holes in mounting plate with holes in junction box and attach with two mounting bolts. Secure bolts with a Phillips head screwdriver.
13. Push canopy up over the mounting plate until it is flush with the ceiling.
14. Push collar through hole in canopy and thread onto nipple on the mounting plate. Secure by turning collar clockwise until canopy is flush with the ceiling.
15. Restore power to junction box and test fixture. Insert 6pcs TYPE G 60W (or suitable LED 13W bulbs, **not included**) into fixture.
DO NOT EXCEED SPECIFIED WATTAGE OF PENDANT.

CAUTION:

Please adjust and rotate the arms carefully as Fig arrows shown.

CARE INSTRUCTIONS:

Wipe with a soft, dry cloth. To protect finish, avoid the use of chemicals and household cleaners.



PARTS INCLUDED:

MOUNTING PLATE(A):	QTY: 1 PC
CANOPY(B):	QTY: 1 PC
COLLAR LOOP(C):	QTY: 1 PC
RODS(D):	QTY: 1 SET (12"*2pcs;6"*1pc;4"*1pc)
COLUMN(E)	QTY: 1 PC
MAIN BODY(F):	QTY: 1 PC

HARDWARE INCLUDED:

Mounting Screws(H)	2	Allen Wrench(J)	1
Plastic Wire Connectors(G)	3	Hexangular screw(K)	9
Green Ground Screw(I)	1		

TO INSTALL YOU WILL NEED:

- 2 people recommended
- Phillips Screwdriver

These instructions are provided for safety. It is very important that they are read carefully and completely before beginning installation of this chandelier.

We strongly suggest that all hard wired fixtures must be installed by a professional electrician.