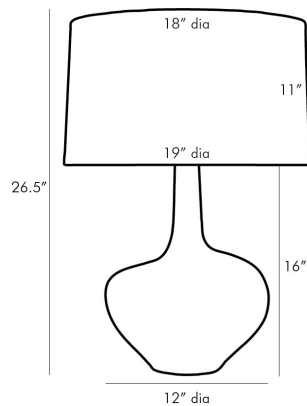


ARTERIOS

NASH LAMP



11049-690
H: 26.5 IN, Dia: 19.00 IN
Tidal Reactive Ceramic
Contract Suitable As Is

Overtly organic the Nash presents a natural sophistication that instantly elevates a space. The ceramic base showcases a tidal reactive glaze that polishes and gently accentuates its asymmetrical shape. This visually lightweight luminescent works well to balance heavier decor trends in personal and professional settings. Topped with an ivory microfiber drum shade with off-white cotton lining and a 1" brass sphere finial. finish will vary.

APPEARANCE

Material	Ceramic, Cotton, Microfiber
Finish	Ivory, Off-White, Tidal Reactive
Finish Will Vary	true
Top Coat/Sealant	false

DIMENSIONS

Shade	Top: 18.00 IN, Dia: 19.00 IN, Side: 11 IN
Body	H: 16 IN, Dia: 12.00 IN
Neck	H: 1 IN, Dia: 1.00 IN
Foot Print	Dia: 5.00 IN

WIRING

Rating	Indoor Only
Tilt Test	10 Degrees - AU
Cord	8 FT, Clear/Silver, Side of Lamp Body, SPT-2
Socket	1, Brass, Type A- E26, 3-Way
Switch	3-Way Rotary, At Socket
Maximum Watt	150
Voltage	110-120 V

CERTIFICATIONS

Certifications	Mexico Australia, United States, Canada
----------------	--

COMPLIANCY

UL/ETL	Yes
RoHS	false

SHIPPING

Product Weight	6.5 LBS
Gross Weight 1	12 LBS
Gross Weight 2	3 LBS
Shipping Box 1	H: 24 IN, L: 16 IN, W: 17 IN
Shipping Box 2	H: 14 IN, L: 23 IN, W: 23 IN

CONTRACT

Contract Suitable	true
-------------------	------