

ASSEMBLY INSTRUCTIONS

ITEM DESCRIPTION:

ITEM NO.: 44785-510

NAME: Neo Sconce

MATERIAL TYPE: Iron, Linen

FINISH: Blackened, Antique Brass, Off-White

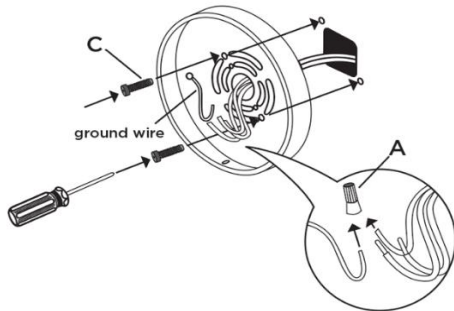
SOCKET TYPE: E12

SOCKET QTY: 1

BULB WATTAGE: 25 W

VOLTAGE: 110-120 V

ITEM NET WEIGHT: 8 LBS



PARTS INCLUDED:

Mounting Plate Qty: 1

Shade Qty: 1

HARDWARE INCLUDED:

Mounting Screws

Plastic Wire Connector

TOOLS NEEDED (Not Included):

1 Screwdriver

These instructions are provided for safety. It is very important that they are read carefully and completely before beginning installation of this chandelier.

We strongly suggest that all hard-wired fixtures must be installed by a professional electrician.



TO ASSEMBLE:

1. Shut off the main electrical supply from the main fuse box/circuit breaker.
2. Attach mounting plate to wall or junction box using mounting screws (C).
3. Connect ground wire from wall to ground wire from lamp using wire caps (A).
4. Attach house wire to lamp wires as shown. Fasten the pairs together with a wire caps. **DO NOT REVERSE THE HOT AND NEUTRAL CONNECTIONS OR SAFETY WILL BE COMPROMISED.**
5. Place the main frame on the groove given on the top of the mounting plate and fix by tightening the canopy screw (B) in the predrilled hole at the bottom.
6. Insert light bulb.
7. Restore power to junction box and test fixture.
DO NOT EXCEED SPECIFIED MAX WATTAGE.

CARE INSTRUCTIONS:

Wipe with a soft, dry cloth. To protect finish, avoid the use of chemicals and household cleaners.

For customer service questions call 1-800-338-2150

ARTERIO RS