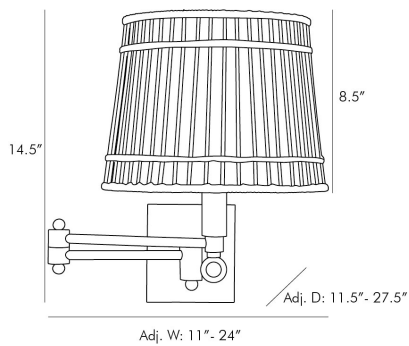


# ARTERIOS

## SEA ISLAND SCONCE

BETH WEBB



DW49003

Natural Rattan, Polished Nickel  
Contract Suitable As Is

Recalling the humble yet complex architecture of a wicker basket the Sea Island Sconce has a rattan structure and an ivory linen-wrapped interior. The nimble charming and always practical swing arm sconce has a diffuser for flexible needs. The birdcage like structure offers warm layered light and the horizontal and vertical lines create subtle pattern play.

### APPEARANCE

Material	Iron, Linen, Rattan
Finish	Ivory, Natural, Polished Nickel
Finish Will Vary	true
Top Coat/Sealant	false

### DIMENSIONS

Center Of Mount From Btm	2.5 IN
Backplate	H: 5 IN, W: 4.5 IN, D: 1 IN
Mount	H: 4.5 IN, W: 4 IN

### WIRING

Rating	Indoor Only
Cord	8 FT, Clear/Silver, SVT
Socket	1, Type A - E26
Maximum Watt	60
Voltage	110-120 V

### CERTIFICATIONS

Certifications	Mexico United States, Canada
----------------	---------------------------------

### COMPLIANCY

UL/ETL	Yes
RoHS	true

### SHIPPING

Product Weight	4.5 LBS
Gross Weight 1	6.12 LBS
Shipping Box 1	H: 12.9 IN, L: 12.9 IN, W: 14.7 IN

### ADDITIONAL INFO

Features	Sustainable
Hanging Orientation	Horizontal and Vertical

### CONTRACT

Contract Suitable	true
-------------------	------