

ASSEMBLY INSTRUCTIONS

ITEM DESCRIPTION:

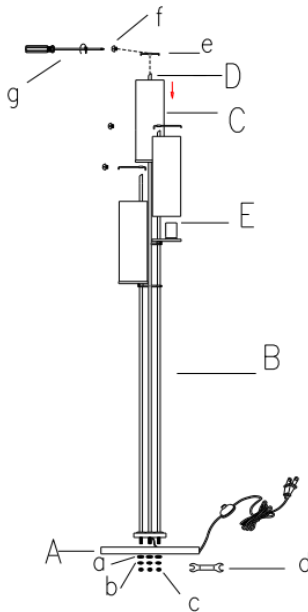
ITEM NO.: 79661 NAME: Stefan Floor Torchiera

MATERIAL TYPE: Iron FINISH: Black

SOCKET TYPE: E26 SOCKET QTY: 3

BULB WATTAGE: 60W/CFL 16W/LED 13W

VOLTAGE: 110-120 V ITEM NET WEIGHT: 17LBS



PARTS INCLUDED:

Lamp Base (A)	Qty: 1
Lamp Body (B)	Qty: 1
Glass Shade (C)	Qty: 1
Tube (D)	Qty: 1
Socket Cup (E)	Qty: 3
Metal Washer (a)	Qty: 3
C Washer (b)	Qty: 3
Nut (c)	Qty: 3
Wrench (d)	Qty: 1
Mounting Bracket (e)	Qty: 3
Small Screw (f)	Qty: 3
Screwdriver (g)	Qty: 1

PRE-ASSEMBLY:

- Remove all parts and hardware from box along with any plastic protecting packaging.
- Do not discard any contents until after assembly is complete to avoid accidentally discarding small parts or hardware.



TO ASSEMBLE:

- Pull excess wire through the base before assembling the lamp.
- Pass the tip of the lamp body (D) through the base (A), also attach the metal washers (a), c washers (b), then tighten the base with the nuts (c) by wrench (d).
- Place glass shade (C) onto the top of socket cup (E), place mounting bracket (e) on glass shade (C) then tighten it by threading small screw (f) on the tube (D) with screwdriver (g).
- Repeat the same operation on the remaining two glass shades.

CARE INSTRUCTIONS:

- Clean with soft, dry cloth.
- Always avoid the use of harsh chemicals or abrasive cleaners as they may cause damage to the lamp.

IMPORTANT SAFETY INSTRUCTIONS:

For safety purposes, this lamp is equipped with a polarized plug (one blade is wider than the other) (For North America Customers Only). If the plug does not fit securely into your outlet, do not force it – contact a professional electrician. Use the plug with an extension cord only if it can be fully inserted into the cord's socket. Never alter the plug in any way. This instruction is provided for your safety. It is important that it is read carefully and completely before assembling the fixture.

To avoid risk of fire, do not exceed the recommended wattage.

WARNING:

- To reduce the risk of fire, electrical shock, or personal injury, always turn off and unplug lamp and allow it to cool prior to replacing the bulb.
- Do not touch bulb when fixture is turned on. Do not look directly at lit bulb.
- Keep flammable materials away from lit bulb.

For customer service questions call 1-800-338-2150

ARTERIO RS