

ASSEMBLY INSTRUCTIONS

ITEM DESCRIPTION:

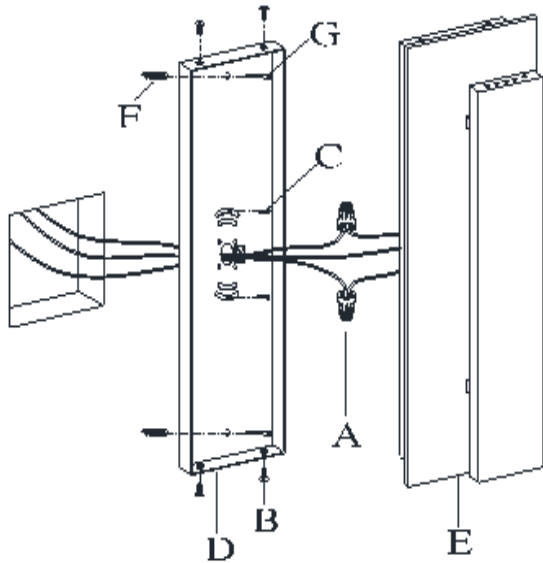
ITEM NO.: 49257 NAME: Titus Sconce

MATERIAL TYPE: Steel&Glass FINISH: Antique Brass

SOCKET TYPE: LED Strip SOCKET QTY:

BULB WATTAGE: 21W Dimmable VOLATGE: 110V-120V

ITEM NET WEIGHT: 5.5LBS



PARTS INCLUDED:

MOUNTING PLATE(D): QTY: 1 PC

BACK PLATE(E): QTY: 1 PC

PLATE SCREW(B): QTY: 4 PCS

HARDWARE INCLUDED:

Plastic Wire Cap(A) QTY: 3 PCS

Mounting Screw (C): QTY: 3 PCS

Anchor (F): QTY: 3 PCS

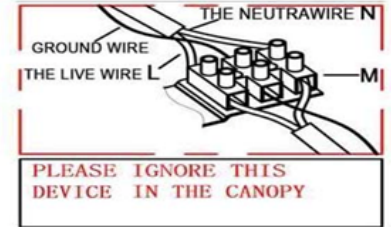
Strengthened Screw(G): QTY: 3 PCS

TOOLS NEEDED (NOT INCLUDED):

1 SCREWDRIVER

These instructions are provided for safety. It is very important that they are read carefully and completely before beginning installation of this chandelier.

We strongly suggest that all hard wired fixtures must be installed by a professional electrician.

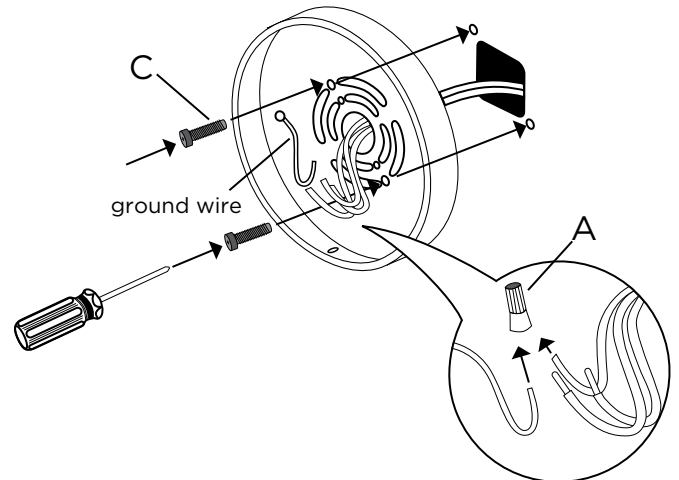
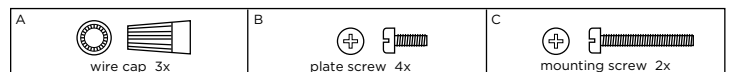


TO ASSEMBLE:

1. Shut off the main electrical supply from the main fuse box/ circuit breaker
2. Drill the Anchor(F) to the wall first, attach the mounting plate(D) to the junction box using **Mounting Screws (C)**. Tighten using screwdriver, then screw the strengthened screws into the Anchors.
3. Connect ground wire from wall to ground wire from lamp using **Wire Caps (A)**.
4. Attach house wire to lamp wires as shown. Fasten the pairs together with a wire cap
DO NOT REVERSE THE HOT AND NEUTRAL CONNECTIONS OR SAFETY WILL BE COMPROMISED.
5. Attach front face of light to by inserting **Plate Screws(B)** through predrilled holes in front face and into back plate as shown. Tighten using screwdriver.
6. Restore power to junction box and test fixture.

CATUION:

The light source in this luminaire shall only be replaced by the manufacture or his service agent or a similar qualified person.



CARE INSTRUCTIONS:

Wipe with a soft, dry cloth. To protect finish, avoid the use of chemicals and household cleaners.