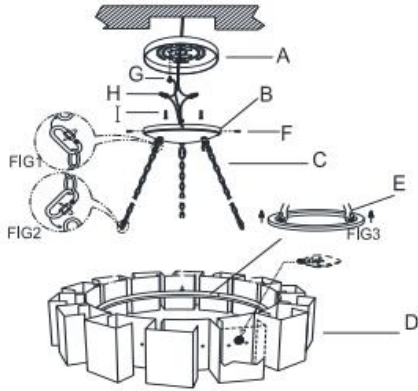


ASSEMBLY INSTRUCTIONS

ITEM DESCRIPTION:

ITEM NO: 89995	NAME: Vaughn Chandelier
MATERIAL TYPE: Steel	FINISH: Bronze/Gold Leaf
SOCKET TYPE: E12	SOCKET QTY: 14
BULB WATTAGE: 40W/CFL 10W/LED 9W	
VOLTAGE: 110-120V	ITEM NET WEIGHT: 40LBS



PARTS INCLUDED:

Mounting Plate (A)	Qty: 1
Canopy (B)	Qty: 1
Chains (C)	Qty: 3
Body (D)	Qty: 1
Center Loop (E)	Qty: 1
Canopy Screw (F)	Qty: 4
Green Screw (G)	Qty: 1

HARDWARE INCLUDED:

Mounting Screws (I)
Wire Connector (H)

TO INSTALL YOU WILL NEED:

- 2 people recommended
- Phillips Screwdriver

These instructions are provided for safety. It is very important that they are read carefully and completely before beginning installation of this chandelier.

We strongly suggest that all hard-wired fixtures must be installed by a professional electrician.



TO ASSEMBLE:

CAUTION: HANDLE THE INNER CENTER LOOP (E) ONLY, NOT SHADE WHEN REMOVING CHANDELIER FROM PACKAGE AND INSTALLING AS FIG3 SHOWN.

1. Shut off the main electrical supply from the main fuse box/circuit breaker and unpack all fixture parts and hardware.
2. Gently pull wiring down from ceiling junction box and allow to hang and remove mounting plate from the canopy by unscrewing the collar.
3. Carefully inspect the pendant's fixture wires.
Neutral fixture wire: White
Hot fixture wire: Black
Ground wire: Green
4. Wrap ground wire of lamp assembly and ground wire of junction box together and fasten together with a wire nut and wrap the connection with electrical tape.
5. Attach the neutral fixture wire from the pendant to the neutral junctionbox wire (usually white). Fasten each together with a wire nut and wrap the connection with electrical tape.
6. Attach the hot fixture wire from the pendant to the hot junction box wire (usually black). Fasten each together with a wire nut and wrap the connection with electrical tape.
DO NOT REVERSE THE HOT AND NEUTRAL CONNECTIONS OR SAFETY WILL BE COMPROMISED.
7. Gently tuck the wire connections neatly into the ceiling junction box.
8. Place the mounting plate over the center of the ceiling junction box.
9. Align holes in mounting plate with holes in junction box and attach with two mounting bolts. Secure bolts with a Phillips head screwdriver.
10. Push canopy up over the mounting plate until it is flush with the ceiling.
11. Push collar through hole in canopy and thread onto nipple on the mounting plate. Secure by turning collar clockwise until canopy is flush with the ceiling.
12. Restore power to junction box and test fixture. Insert 40-Watt maximum E12 Type B bulb into fixture. **DO NOT EXCEED SPECIFIED**

CARE INSTRUCTIONS:

Wipe with a soft, dry cloth. To protect finish, avoid the use of chemicals and household cleaners.

For customer service questions call 1-800-338-2150

ARTERIOS