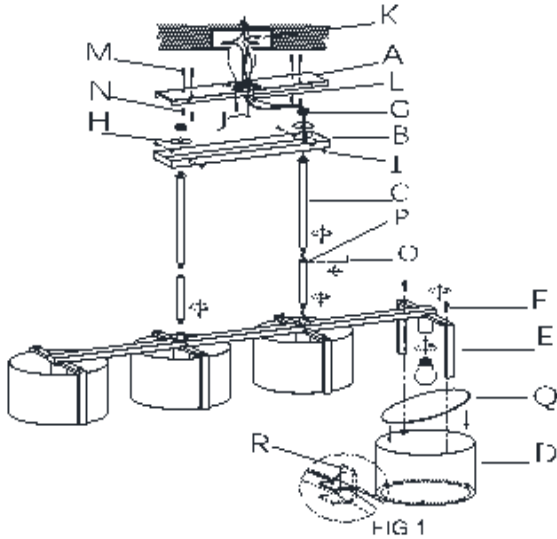


# ASSEMBLY INSTRUCTIONS

## ITEM DESCRIPTION:

ITEM NO.: DRC05 NAME: Zachary Chandelier  
 MATERIAL TYPE: Steel&Glass FINISH: EBN/Ivory&frosted  
 SOCKET TYPE: E26 Ceramic SOCKET QTY: 4  
 BULB WATTAGE: A 60W/LED13W VOLATGE: 110V-120V  
 ITEM NET WEIGHT: 22.0LBS



## PARTS INCLUDED:

MOUNTING PLATE(A):	QTY: 1 PC
CANOPY(B):	QTY: 1 PC
RODS(C):	QTY: 2 SET (1SET=12**2pcs;6**1pc;4**1pc)
SHADE(D):	QTY: 4 PCS
FRAME (E)	QTY: 1 PC
SET SCREW(F):	QTY: 8 PCS
SET RING (G):	QTY: 1 PC
WASHER (H):	QTY: 2 PCS
DIFFUSER (Q):	QTY: 4 PCS
CLIP (R):	QTY: 12 PCS

## HARDWARE INCLUDED:

Canopy Screws (I)	4	Anchor(M)	4
Mounting Screws(G)	2	Strengthened Screw(N)	9
Plastic Wire Connectors(K)	3	Allen Wrench(O)	1
Green Ground Screw(L)	1	Hexangular screw(P)	18

## TO INSTALL YOU WILL NEED:

- people recommended;
- Phillips Screwdriver

These instructions are provided for safety. It is very important that they are read carefully and completely before beginning installation of this chandelier.

**We strongly suggest that all hard wired fixtures must be installed by a professional electrician.**

## TO ASSEMBLE:

1. Shut off the main electrical supply from the main fuse box/ circuit breaker.
2. Carefully unpack all fixture parts and hardware and lay them on a soft surface for assembly.
3. Gently pull wiring down from ceiling junction box and allow to hang.
4. Remove **mounting plate(A)** from the **canopy(B)** by unscrewing the canopy screws(I).
5. Screw **therod(C)** on the **frame(E)** till tight. Tighten the **hexangularscrew(P)** in the side desired hole by allen wrench(O). (NOTE: Total 4pcs rods each side, the suspension height can be adjusted by quantity of rods).
6. Pass the end of top rod through canopy(B) and washer(H), and tighten it by using set ring(G). Pass through the cord as drawing shown. Repeat the above steps on the other side.
7. Insert 4pcs TYPE A 60W (or suitable LED 13W bulbs, not included) in the socket. **DO NOT EXCEED SPECIFIED WATTAGE OF PENDANT.**
8. **Put the glass diffuser(Q) in the bottom Shade(D), and as FIG1, use 3pcs clip to fix the diffuser till secure.**
9. Attach **the shade into** the frame and and tighten it by using 2pcs **set screws(F)** till tight. Repeat the above steps on the remaining 3pcs shade.
10. Carefully inspect the pendant's fixture wires.  
**Neutral fixture wire: White**  
**Hot fixture wire: Black**  
**Ground wire: Green**
11. Wrap ground wire of lamp assembly and ground wire of junction box together and fasten together with a wire nut and wrap the connection with electrical tape.
12. Attach the neutral fixture wire from the pendant to the neutral junction box wire (usually white). Fasten each together with a wire nut and wrap the connection with electrical tape.
13. Attach the hot fixture wire from the pendant to the hot junction box wire (usually black). Fasten each together with a wire nut and wrap the connection with electrical tape. **DO NOT REVERSE THE HOT AND NEUTRAL CONNECTIONS OR SAFETY WILL BE COMPROMISED.**
14. Gently tuck the wire connections neatly into the ceiling junction box.
15. Place the mounting plate over the center of the ceiling junction box.
16. Align holes in mounting plate with holes in junction box and attach with two mounting bolts. Secure bolts with a Phillips head screwdriver.
17. If attach to cement ceiling, use anchor(M) first then screw strengthened screws(N) into the anchor .
18. Push canopy up over the mounting plate until it is flush with the ceiling. and thread the canopy screw(I) to secure it till tight.
19. Restore power to junction box and test fixture.

## CARE INSTRUCTIONS:

Wipe with a soft, dry cloth. To protect finish, avoid the use of chemicals and household cleaners.