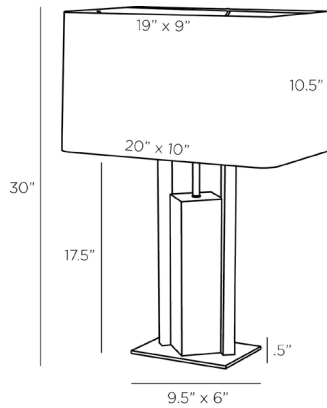


ARTERIOS

ZORY LAMP



PTC19-429
 H: 30 IN, W: 20 IN, D: 10 IN
 Charcoal, Ricestone
 Contract Suitable As Is

A modern geometric form of charcoal lavastone composite adds edge to the traditional table lamp. Accented with an antique brass support and base for contrast, this geometric style is a masculine, modernist accent for any room. Topped with a rectangular drum shade in off-white microfiber lined in cotton. Taupe cloth-wrapped cord and three-way rotary switch. Finish will vary.

APPEARANCE

Material	Cotton, Lava Stone, Microfiber, Steel
Finish	Antique Brass, Off-White
Finish Will Vary	true
Top Coat/Sealant	true
Finial Description	Antique Brass Sphere
Finial Dimension	1" Sphere

DIMENSIONS

Shade	Top: 9 IN, Top: 19 IN, D: 10 IN, W: 20 IN, Side: 10.5 IN
Body	H: 17.5 IN, W: 8 IN, D: 5.5 IN
Base	H: 0.5 IN, W: 9.5 IN, D: 6 IN
Neck	H: 6 IN, Dia: 1.00 IN
Foot Print	W: 9.5 IN, D: 6 IN
Harp	8.5" Antique Brass IN

WIRING

Rating	Indoor Only
Tilt Test	10 Degrees - AU
Cord	10 FT, Back of Lamp Base, Taupe Fabric
Socket	1, Antique Brass, Type A - E26
Switch	3-Way Rotary, At Socket
Maximum Watt	150
Voltage	110-120 V

CERTIFICATIONS

Certifications	Mexico Australia, United Arab Emirates, United Kingdom, United States, Canada
----------------	----------------------------------------------------------------------------------------

COMPLIANCY

UL/ETL	Yes
CB	Yes
RoHS	true

SHIPPING

Product Weight	15.1 LBS
Gross Weight 1	22 LBS
Shipping Box 1	H: 27.5 IN, L: 13.5 IN, W: 10 IN
Shipping Box 2	H: 23 IN, L: 22 IN, W: 22 IN

ADDITIONAL INFO

Shade Shape	Rectangle
Shade Trim	Rolled Edges
Shade Type	Hardback

CONTRACT

Contract Suitable	true
-------------------	------