

# ASSEMBLY INSTRUCTIONS

## ITEM DESCRIPTION:

ITEM NO.: DWC44

NAME: CARTER OUTDOOR SCONCE

MATERIAL TYPE: METAL

FINISH: AGED IRON

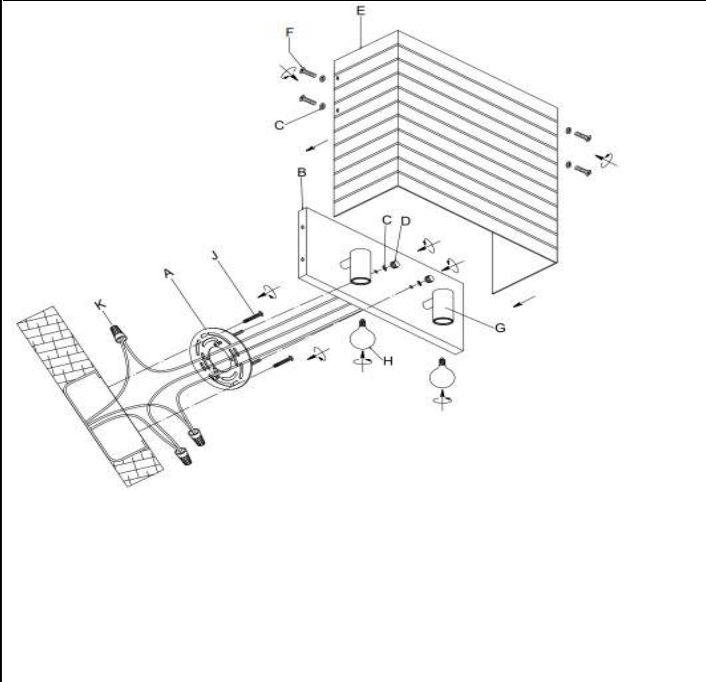
SOCKET TYPE: E12

SOCKET QTY: 2

BULB WATTAGE: 40W /9W CFL/4W LED

VOLTAGE: 110V-120V

ITEM NET WEIGHT: 6.2LBS



## PARTS INCLUDED:

Mounting Plate (A)	Qty: 1Pc	Metal Shade (E)	Qty: 1Pc
Back Plate (B)	Qty: 1Pc	Shade Screw (F)	Qty: 4Pcs
Rubber Washer (C)	Qty: 6Pcs	Lamp Assembly (G)	Qty: 2Pcs
Screw Nut (D)	Qty: 2Pcs		

## HARDWARE INCLUDED:

Mounting Screws (J)	Qty: 2Pcs
Plastic Wire Cap (K)	Qty: 3Pcs

## TOOLS NEEDED (Not Included):

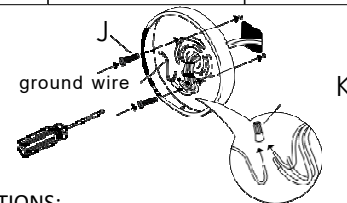
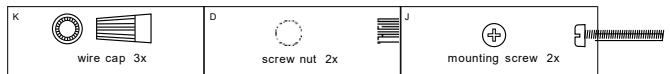
1 Screwdriver

These instructions are provided for safety. It is very important that they are read carefully and completely before beginning installation.

We strongly suggest that all hard-wired fixtures must be installed by a professional electrician.

## TO ASSEMBLE:

1. Shut off the main electrical supply from the main fuse box/circuit breaker.
2. Carefully unpack all fixture parts and hardware and lay them on a soft surface for assembly.
3. Attach mounting plate (A) to wall or junction box by using the mounting screws (J).
4. Connect ground wire from wall to ground wire from lamp by using wire caps (K).
5. Attach house wire to lamp wires as shown. Fasten the pairs together with a wire caps (K) DO NOT REVERSE THE HOT AND NEUTRAL CONNECTIONS OR SAFETY WILL BE COMPROMISED.
6. Attach back plate (B) to mounting plate (A) and fix by using the enclosed screw nut (D) and rubber washer (C).
7. Insert 2 TYPE-G 40W /9W CFL/4W LED bulb(not included) into The Lamp Assembly (G). DO NOT EXCEED SPECIFIED WATTAGE OF SCONCE
8. Attach the metal shade (E) to back plate (B) by using the enclosed Shade screw (F) and rubber washer (C). Tighten shade screws with screwdriver. Please be sure the rubber washer (C) is on top threading of the plate screws (F).
9. Use the outdoor silicone caulking compound to caulk completely along the rim of metal shade (E) where it meets the wall surface, but leaving a space without the caulking compound at the bottom of metal shade to allow the water to seep out if water entered into the J-Box by accident. See more details on extra page.
10. Restore power to junction box and test fixture.



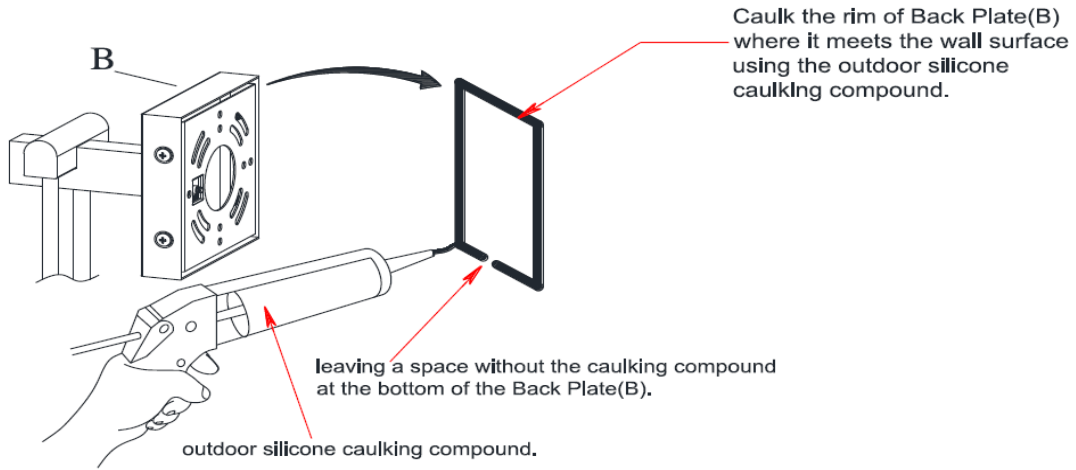
## CARE INSTRUCTIONS:

Wipe with a soft, dry cloth. To protect finish, avoid the use of

For customer service questions call 1-800-338-2150

ARTERIO RS

## CAULKING INSTRUCTIONS



To prevent the water from entering the J-box and causing a short circuit, use the outdoor silicone caulk compound to caulk completely along the rim of Back Plate (B) where it meets the wall surface, but leaving a space without the caulk compound at the bottom of Back Plate (B).

**NOTE:** Mounting surface should be clean, dry, flat, and a 1/4 inch larger than the Back Plate (B) on all sides.

\*\*\*\*\*