

ASSEMBLY INSTRUCTIONS

ITEM DESCRIPTION:

ITEM NO.: DWC40

NAME: ENNIS OUTDOOR SCONCE

MATERIAL TYPE: METAL

FINISH: AGED IRON

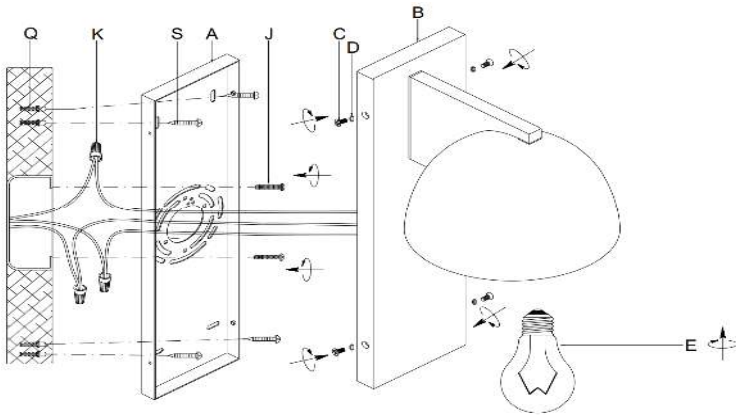
SOCKET TYPE: E26

SOCKET QTY:1

BULB WATTAGE: 60W /13W CFL/8W LED

VOLTAGE:110V-120V

ITEM NET WEIGHT:3.4LBS



PARTS INCLUDED:

Mounting Plate (A)	Qty:1Pc	Back plate screw (C)	Qty:4Pcs
Back Plate (B)	Qty:1Pc	Rubber washer (D)	Qty: 4Pcs

HARDWARE INCLUDED:

Mounting Screws (J)	Qty: 2Pcs
Plastic Wire Cap (K)	Qty: 3Pcs
Plastic anchor (Q)	Qty: 4Pcs
Strengthen screw (S)	Qty: 4Pcs

TOOLS NEEDED (Not Included):

1 Screwdriver

These instructions are provided for safety. It is very important that they are read carefully and completely before beginning installation .

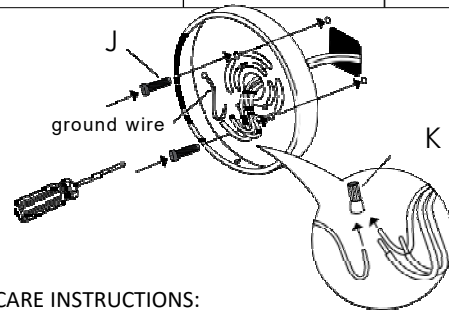
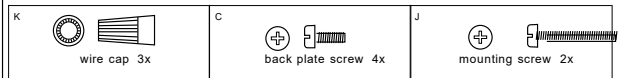
We strongly suggest that all hard-wired fixtures must be installed by a professional electrician.

For customer service questions call 1-800-338-2150



TO ASSEMBLE:

1. Shut off the main electrical supply from the main fuse box/circuit breaker.
2. Carefully unpack all fixture parts and hardware and lay them on a soft surface for assembly.
3. Drill 4 holes in wall in line with 4 holes of mounting pakte (A) . Insert plastic anchors(Q) into drilled holes. Attach mounting plate(A) to wall or junction box using mounting screws (J).Then fasten mounting plate(A) to wall by screwing the 4 strengthen screws(S) provided in the plastic anchors(Q)
4. Connect ground wire from wall to ground wire from lamp by using wire caps (K).
5. Attach house wire to lamp wires as shown. Fasten the pairs together with a wire caps(K) . DO NOT REVERSE THE HOT AND NEUTRAL CONNECTIONS OR SAFETY WILL BE COMPROMISED.
6. Attach Back Plate (B) to Mounting Plate (A) by using the enclosed Back Plate Screw(C) and Rubber Washer(D) . Tighten screws with screwdriver.Please be sure the rubber washer(D) is on top threading of the plate screws(C).
7. Use the outdoor silicone caulking compound to caulk completely along the edge of fixture base/backplate(B) where it meets the wall surface using a high quality outdoor silicone sealant. And leave a space without the caulking compound at the bottom of back plate to allow the water to seep out if water entered into the J-Box by accident.See more details on extra page .
8. Insert 1 TYPE-G 60W /13W CFL/8W LED bulb(not included) into socket.DO NOT EXCEED SPECIFIED WATTAGE OF SCONCE
9. Restore power to junction box and test fixture.

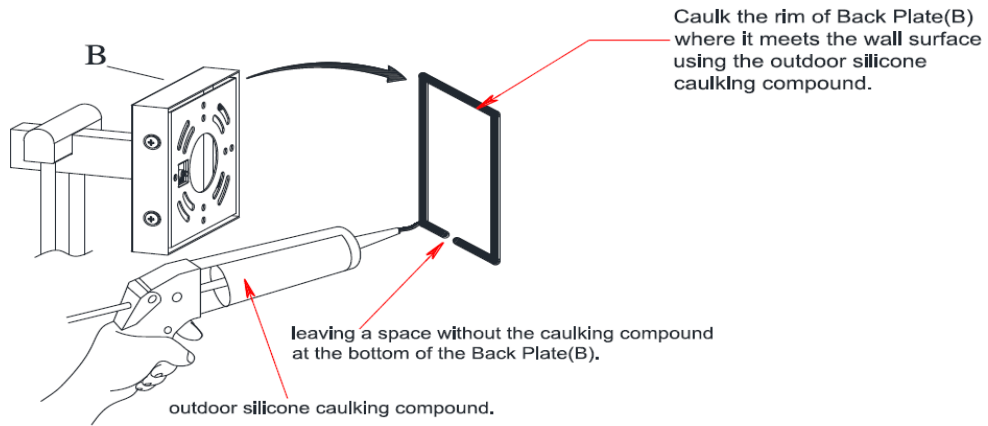


CARE INSTRUCTIONS:

Wipe with a soft, dry cloth. To protect finish, avoid the use of chemicals and household cleaners.

ARTERIO RS

CAULKING INSTRUCTIONS



To prevent the water from entering the J-box and causing a short circuit, use the outdoor silicone caulking compound to caulk completely along the rim of Back Plate (B) where it meets the wall surface, but leaving a space without the caulking compound at the bottom of Back Plate (B).

NOTE: Mounting surface should be clean, dry, flat, and a 1/4 inch larger than the Back Plate (B) on all sides.
