

# ASSEMBLY INSTRUCTIONS

## ITEM DESCRIPTION:

ITEM NO.: 79813

NAME: Aaron Floor Lamp

MATERIAL TYPE: Steel/Leather/Marble FINISH: ORB.HB/Graphite/BLK

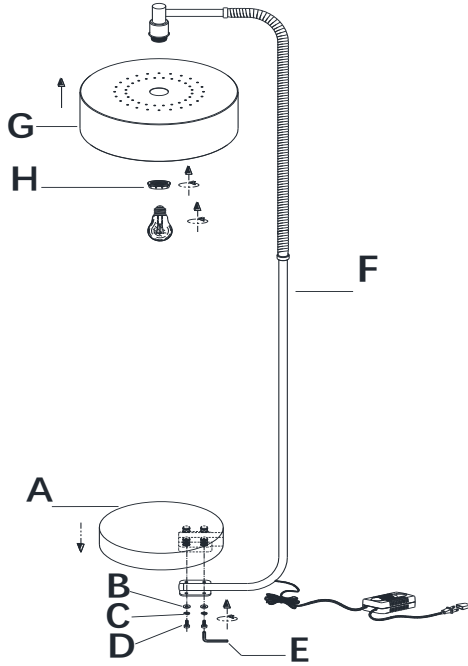
SOCKET TYPE: E26 Ceramic

SOCKET QTY: 1

BULB WATTAGE: TYPE A 60W or /LED 10W

VOLTAGE: 110V-120V

ITEM NET WEIGHT: 21.5 lbs



## TO ASSEMBLE:

1. Attach the tip of Column(F) to the bottom of Base (A), Then use Metal Washer(B),C Washer(C) and Screw Nut(D) to fix it by Allen Wrench(E) till tight.
2. Repeat the same above operations on the remaining 3 set screw nuts. PLS be ensure the Column(F) is up straight and steady.
3. Unscrew the Socket Ring(H) off the socket, attach the Metal Shade(G) to the socket, And then tighten Socket Ring to secure the shade.
4. Insert 1 TYPE A 100W(or suitable LED 20W bulb, NOT INCLUDED) into the socket.  
**DO NOT EXCEED SPECIFIED WATTAGE.**

## CARE INSTRUCTIONS:

- Clean with soft, dry cloth.
- Always avoid the use of harsh chemicals or abrasive cleaners as they may cause damage to the lamp.

## IMPORTANT SAFETY INSTRUCTIONS:

For safety purposes, this lamp is equipped with a polarized plug (one blade is wider than the other) (For North America Customers Only). If the plug does not fit securely into your outlet, do not force it – contact a professional electrician. Use the plug with an extension cord only if it can be fully inserted into the cord's socket. Never alter the plug in any way. This instruction is provided for your safety. It is important that it is read carefully and completely before assembling the fixture.

To avoid risk of fire, do not exceed the recommended wattage.

## WARNING:

- To reduce the risk of fire, electrical shock, or personal injury, always turn off and unplug lamp and allow it to cool prior to replacing the bulb.
- Do not touch bulb when fixture is turned on. Do not look directly at lit bulb.
- Keep flammable materials away from lit bulb.

## PARTS INCLUDED:

Base(A)	Qty: 1 PC
Metal Washer (B)	Qty: 4 PCS
C Washer (C)	Qty: 4 PCS
Screw Nut (D)	Qty: 4 PCS
Allen Wrench(E )	Qty: 1 PC
Column (F )	Qty: 1 PC
Metal Shade(G)	Qty:1 PC
Socket Ring(H)	Qty:1 PC

## PRE-ASSEMBLY:

- Remove all parts and hardware from box along with any plastic protecting packaging
- Do not discard any contents until after assembly is complete to avoid accidentally discarding small parts or hardware.

For customer service questions call 1-800-338-2150  
Arteriors Home: 972-488-9800. Arteriors Contract: 972-488-9800 Ext. 321

ARTERIOS