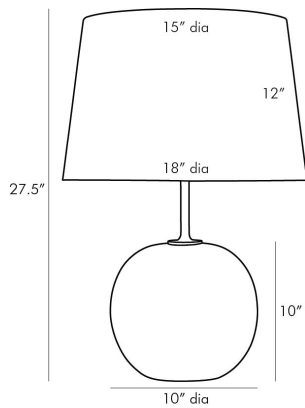


# ARTERIOS

## COLTON LAMP



49361-355  
 H: 27.5 IN, Dia: 18.00 IN  
 Ivory Ricestone  
 Contract Suitable As Is

Presenting a polished but modest profile the Colton exceeds expectations with refined materials and sophisticated style. An exaggerated antique brass stem reveals an oversized white orb foundation composed of rice stone. A functional art piece in its simplest form for traditional and modern settings. Topped with an ivory microfiber drum shade with ivory cotton lining and a 1" brass sphere finial. finish will vary.

### APPEARANCE

Material	Cotton, Microfiber, Ricestone, Steel
Material Type	Composite
Finish	Antique Brass, Ivory
Finish Will Vary	true
Top Coat/Sealant	false
Finial Description	1" Brass Sphere

### DIMENSIONS

Shade	Top: 15.00 IN, Dia: 18.00 IN, Side: 12 IN
Body	H: 10 IN, Dia: 10.00 IN
Neck	H: 6 IN, Dia: 1.00 IN
Foot Print	Dia: 6.00 IN
Harp	10 IN

### WIRING

Rating	Indoor Only
Tilt Test	10 Degrees - AU
Cord	8 FT, Clear/Silver, Exits Neck, SPT-2
Socket	1, Brass, Type A- E26, 3-Way
Switch	3-Way Rotary, At Socket
Maximum Watt	150
Voltage	110-120 V

### CERTIFICATIONS

Certifications	Mexico Australia, United Arab Emirates, United Kingdom, United States, Canada
----------------	--

### COMPLIANCY

UL/ETL	Yes
CB	Yes
RoHS	true

### SHIPPING

Product Weight	29 LBS
Gross Weight 1	29 LBS
Gross Weight 2	2.5 LBS
Shipping Box 1	H: 24 IN, L: 17 IN, W: 17 IN
Shipping Box 2	H: 16 IN, L: 22 IN, W: 22 IN

### ADDITIONAL INFO

Shade Shape	Round
Shade Trim	Rolled Edges
Shade Type	Hardback

### CONTRACT

Contract Suitable	true
-------------------	------