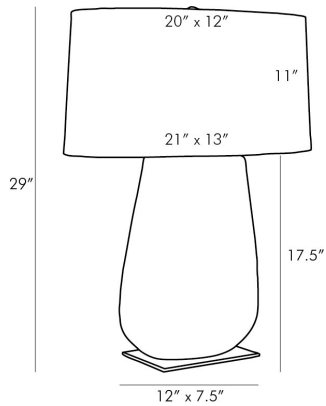


# ARTERIOS

## DEAGAN LAMP



17367-943

H: 29 IN, W: 21 IN, D: 13 IN

Gunmetal & Teal Reactive Ceramic

Contract Suitable As Is

Showcasing a simple ceramic form on a bronze steel plate the reaction of glazes is the real scene-stealer here. A gunmetal reactive glaze tops this piece before beautifully bleeding into a teal reactive glaze bottom leaving no two alike. A sea of grayish to greenish to blueish centers this piece drawing the eye with its unique and varying hues—tones that are further enhanced when illuminated. Topped with a white linen drum shade with white cotton lining. finish will vary.

### APPEARANCE

Material	Ceramic, Cotton, Linen, Steel
Finish	Bronze, Gunmetal & Teal Reactive, White
Finish Will Vary	true
Top Coat/Sealant	false
Finial Description	Decorative ceramic to match - packed with
Finial Dimension	1"

### DIMENSIONS

Shade	Top: 12 IN, Top: 20 IN, D: 13 IN, W: 21 IN, Side: 11 IN
Body	H: 17.5 IN, W: 12 IN, D: 7.5 IN
Neck	H: 1 IN, Dia: 1.00 IN
Foot Print	W: 9 IN, D: 7 IN
Harp	9.5" IN

### WIRING

Rating	Indoor Only
Tilt Test	10 Degrees - AU
Cord	10 FT, Back of Lamp Base, Clear/Silver, SPT-2
Socket	1, Brass, Type A- E26, 3-Way
Switch	3-Way Rotary, At Socket
Maximum Watt	150
Voltage	110-120 V

### CERTIFICATIONS

Certifications	Mexico Australia, United Arab Emirates, United Kingdom, United States, Canada
----------------	--

### COMPLIANCY

UL/ETL	Yes
CB	Yes
RoHS	true

### SHIPPING

Product Weight	17.5 LBS
Gross Weight 1	18.5 LBS
Gross Weight 2	3 LBS
Shipping Box 1	H: 11.5 IN, L: 25.5 IN, W: 16 IN
Shipping Box 2	H: 13 IN, L: 23 IN, W: 23 IN

### ADDITIONAL INFO

Shade Shape	Oval
Shade Trim	Rolled Edges
Shade Type	Hardback

### CONTRACT

Contract Suitable	true
-------------------	------