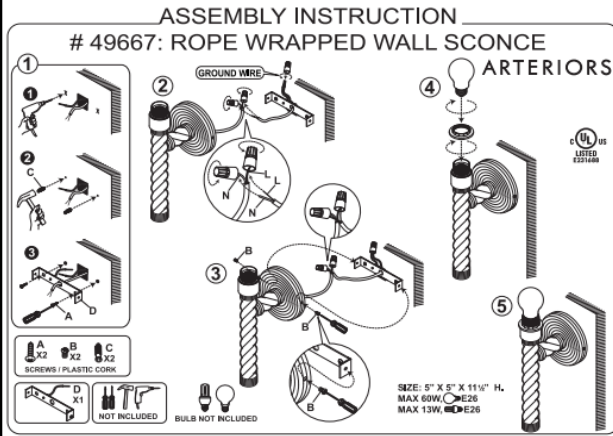


ASSEMBLY INSTRUCTIONS

ITEM DESCRIPTION:

ITEM NO.: 49667-107	NAME: Douglas Sconce
MATERIAL TYPE: Rope	FINISH: Natural
SOCKET TYPE: E26	SOCKET QTY: 1
BULB WATTAGE: 60W/16W CFL/13W LED	
VOLTAGE: 110-120 V	ITEM NET WEIGHT: 2LBS



TO ASSEMBLE:

1. Please follow instructions in diagram.

PARTS INCLUDED:

Mounting Plate	Qty: 1
Back Plate	Qty: 1
Shade	Qty: 1
Socket Assembly	Qty: 1
Metal Ring	Qty: 1

HARDWARE INCLUDED:

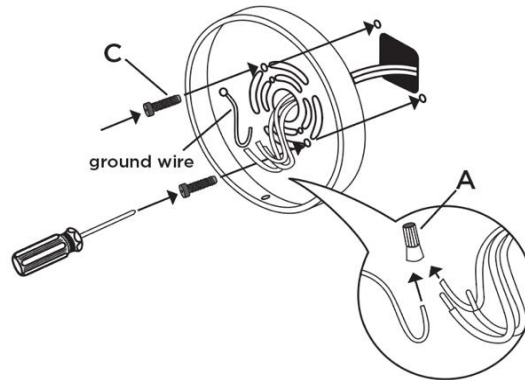
Wire Cap (A)	Qty: 3
Canopy Screws	Qty: 2
Mounting Screw	Qty: 2

TOOLS NEEDED (Not Included):

- 1 Screwdriver

These instructions are provided for safety. It is very important that they are read carefully and completely before beginning installation.

We strongly suggest that all hard-wired fixtures must be installed by a professional electrician.



CARE INSTRUCTIONS:

Wipe with a soft, dry cloth. To protect finish, avoid the use of chemicals and household cleaners.

For customer service questions call 1-800-338-2150

ARTERIOORS