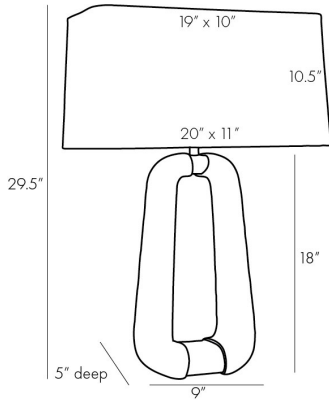


# ARTERIOS

## GIANNI LAMP



49739-150  
 H: 29.5 IN, W: 20 IN, D: 11 IN  
 Graphite Ricestone, Antique Brass  
 Contract Suitable As Is

The equestrian-inspired shape of this lamp is more contemporary than cavalier, though it's just as mount worthy. A graphite ricestone composite is met with steel antique brass breaks that physically divide but visually unite the mixed-material foundation. Adds a modern luxe and organic touch to a space. Topped with a rectangular white linen drum shade with white cotton lining and a matching ricestone finial. Complete with a taupe cloth cord. Finish will vary.

### APPEARANCE

Material	White
Material Type	Cotton, Linen, Ricestone, Steel
Finish	Composite
Finish Will Vary	Antique Brass, Graphite, White
Top Coat/Sealant	true
Finial Description	false
	1" Brass Sphere

### DIMENSIONS

Shade	Top: 10 IN, Top: 19 IN, D: 11 IN, W: 20 IN, Side: 10 IN
Body	H: 18 IN, W: 9 IN, D: 5 IN
Harp	9.5 IN

### WIRING

Rating	Indoor Only
Tilt Test	8 Degrees - UL
Cord	10 FT, Back of Lamp Base, SPT-2, Taupe Fabric
Socket	1, Brass, Type A - E26
Switch	3-Way Rotary, At Socket
Maximum Watt	150
Voltage	110-120 V

### CERTIFICATIONS

Certifications	Mexico United Arab Emirates, United Kingdom, United States, Canada
----------------	---

### COMPLIANCY

UL/ETL	Yes
CB	Yes
RoHS	true

### SHIPPING

Product Weight	22 LBS
Gross Weight 1	24 LBS
Gross Weight 2	5 LBS
Shipping Box 1	H: 26 IN, L: 8.25 IN, W: 13 IN
Shipping Box 2	H: 14.5 IN, L: 22 IN, W: 13 IN

### ADDITIONAL INFO

Shade Shape	Round
Shade Trim	Rolled Edges
Shade Type	Hardback

### CONTRACT

Contract Suitable	true
-------------------	------