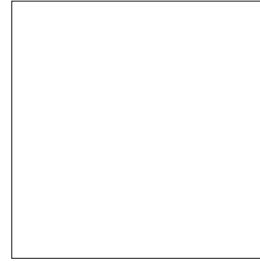
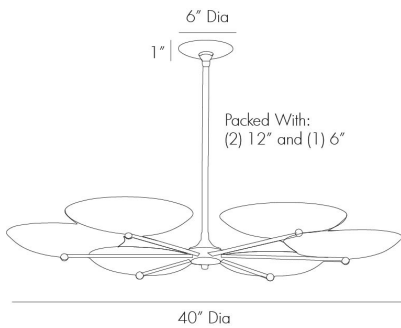


ARTERIOS

GRIFFITH CHANDELIER



89047
H: 11 IN, Dia: 40.00 IN
Antique Brass, Bronze
Contract Suitable As Is

Delicate in nature, the Griffith Chandelier balances a severe bronze finish with an elegant antique brass frame. The bronze plates face upwards, diffusing the light and creating a warm, even glow. Damp-rated, although limited covered outdoor conditions may affect finish. finish will vary. Additional pipe available (PIPE-101).

APPEARANCE

Material	Steel
Finish	Bronze, Matte White
Top Coat/Sealant	true
Link	Welded

DIMENSIONS

Chandelier	H: 4 IN, Dia: 40.00 IN
Minimum Hanging Height	11 IN
Maximum Hanging Height	35 IN
Canopy	H: 1 IN, Dia: 6.00 IN

WIRING

Rating	Damp
Cord	10 FT, Clear/Silver, SVT
Socket	6, Type B=-E12 Other
Maximum Watt	40
Voltage	110-120 V

CERTIFICATIONS

Certifications	Mexico European Union, United Arab Emirates, United States, Canada
----------------	---

COMPLIANCY

UL/ETL	Yes
CB	Yes
RoHS	true

SHIPPING

Product Weight	13 LBS
Gross Weight 1	23.5 LBS
Shipping Box 1	H: 7 IN, L: 43 IN, W: 43 IN

REPLACEMENT PARTS

Replacement Part 1	PIPE-101
Replacement Part 1 Dim	(1) 6" and (1) 12" rods
Replacement Part 2	CANOPY-108
Replacement Part 2 Dim	1" x 6" Dia

CONTRACT

Contract Suitable	true
-------------------	------