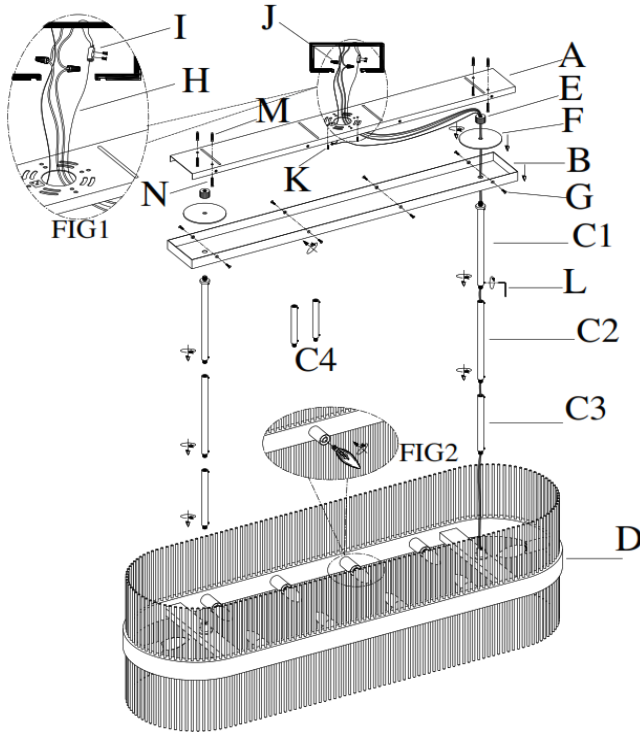
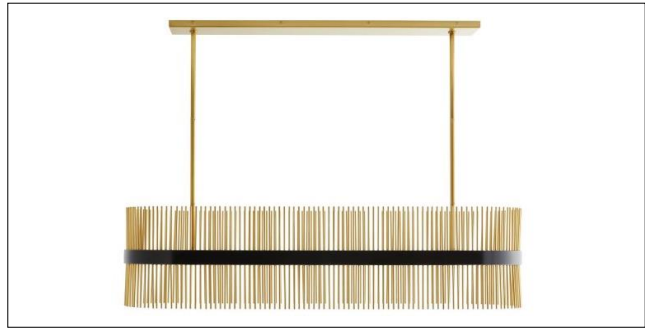


ASSEMBLY INSTRUCTIONS

ITEM DESCRIPTION:

ITEM NO.: 89476	NAME: Hozier Oval Chandelier
MATERIAL TYPE: Steel	FINISH: Antique Brass/Bronze
SOCKET TYPE: E12	SOCKET QTY: 10
BULB WATTAGE: 40W/10W CFL/9W LED	
VOLTAGE: 110-120 V	ITEM NET WEIGHT: 57LBS



PARTS INCLUDED:

A MOUNTING PLATE	1 PC	F WASHER	2 PCS
B CANOPY	1 PC	G CANOPY SCREW	8 PCS
C RODS	8 PCS	H STEEL CABLE	1 PC
D MAIN BODY	1 PC	I LOCK	1 PC
E SET RING	2 PCS		

HARDWARE INCLUDED:

J Plastic Wire Connector	L Allen Wrench
K Mounting Screws	Green Ground Screw
M Anchor	N Strengthened Screw

TO INSTALL YOU WILL NEED:

- 2 people recommended
- Phillips Screwdriver

These instructions are provided for safety. It is very important that they are read carefully and completely before beginning installation of this chandelier.

We strongly suggest that all hard-wired fixtures must be installed by a professional electrician.

TO ASSEMBLE:

1. Remove all packing contents from the carton(s) carefully. Please be sure you have all parts indicated before you begin assembly.
2. Shut off the main electrical supply from the main fuse box/circuit breaker.
3. Remove the mounting plate(a) from the canopy(b) by loose 8pcs canopy screws(g).
4. Screw the rod(c3) to the main body(d) and tighten the hexangular screw in the side desire hole by Allen wrench(l). Repeat the same operation on the rod (c1) and (c2). If the ceiling is high enough, pls assemble the rod(c4) if need.
5. Pass the rod(c1) through canopy(b) and tighten it by using washer(f) and set ring(e).be sure pass through the cord as drawing show. Repeat the above operations (6) and (7) on another side.
6. Attach steel cable(h) to the fixed fixture (an appropriate load bearing structure) on the ceiling with the lock(i) this luminaire must be mounted or supported independently of an outlet box.
7. Carefully inspect the pendant's fixture wires. The neutral fixture wire has very fine ridges molded into its plastic covering. The hot fixture wire has a smooth covering. The bare silver wire is the grounded wire.
8. Attach the ground wire from the fixture to the ground junction box wire from the outlet (usually green) or bare wire). Fasten each together with a plastic wire connector (j) and wrap the connection with electrical tape. If your outlet box does not have a ground wire, insert the green ground screw into the mounting plate (a) facing down, and wrap the fixture's bare ground wire around the ground screw. It is imperative that the outlet box in your home be properly grounded.
9. Connect the neutral fixture wire to the neutral junction box wire (usually white). Fasten each together with a wire connector (j) and wrap the connection with electrical tape. Be sure no strands are exposed.
10. Connect the hot fixture wire to the hot junction box wire (usually black). Fasten each together with a plastic wire connector (j) and wrap the connection with electrical tape. Be sure no wire strands are exposed. Do not reverse the hot and neutral connections or safety will be compromised.
11. Gently truck the wire connections neatly into the ceiling junction box.
12. Attach the mounting plate (a) with nipple to the ceiling outlet box using the enclosed mounting screws (k) and tighten screws with a screwdriver.
13. If attach to cement ceiling, use anchor(m) first then screw strengthened screws(n) into the anchor.
14. If attach to wood ceiling, thread strengthened screw(n) directly into ceiling.
15. Push mounting plate(a) in canopy (b) and thread the canopy screws(g) to secure it till tight.
16. Insert 10 type b 40w bulbs (or suitable cfl/10w, or led 9w bulbs, not included) into the sockets as fig2. do not exceed specified wattage. Be sure all the hexangular screws are tight enough.
17. Restore power to the junction box and test fixture.

CARE INSTRUCTIONS:

Wipe with a soft, dry cloth. To protect finish, avoid the use of chemicals and household cleaners.

For customer service questions call 1-800-338-2150

ARTERIOS