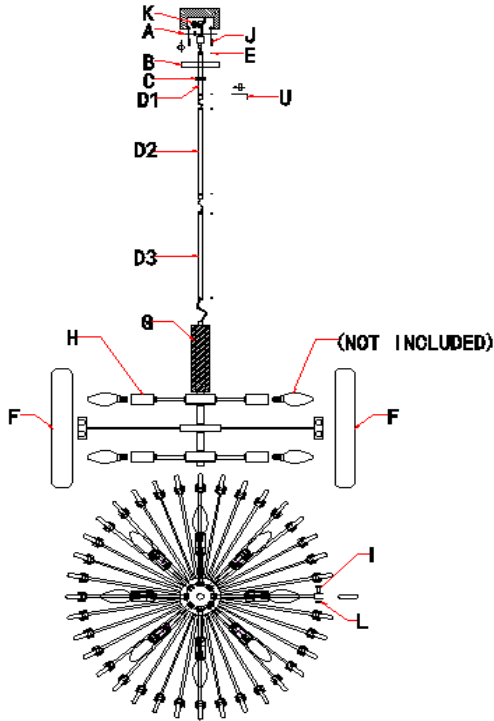


ASSEMBLY INSTRUCTIONS

ITEM DESCRIPTION:

ITEM NO.: 89066	NAME: Klaus Chandelier
MATERIAL TYPE: Glass	FINISH: Smoke Luster
SOCKET TYPE: E12	SOCKET QTY: 8
BULB WATTAGE: 60W or/CFL 16W or/LED 13W	
VOLTAGE: 110-120 V	ITEM NET WEIGHT: 35LBS



PARTS INCLUDED:

(A) Mounting Plate	Qty: 1	(F) Glass Panel	Qty: 24
(B) Canopy	Qty: 1	(H) Sockets	Qty: 12
(C) Collar Loop	Qty: 1	(I) Thumb Screw A	Qty: 1
(D) Rods	Qty: 3	(L) Thumb Screw I	Qty: 12
(E) Hex Screws	Qty: 24		

G Lamp Body

(K) Plastic Wire Connect	2 Pc	(U) Allen Wrench	1 Pc
(J) Mounting Screws	2 Pc		
Green Ground Screw	1 Pc		

TO INSTALL YOU WILL NEED:

- 2 people recommended
- Phillips Screwdriver

These instructions are provided for safety. It is very important that they are read carefully and completely before beginning installation.

We strongly suggest that all hard-wired fixtures must be installed by a professional electrician.

TO ASSEMBLE:

1. Remove all packing contents and parts from the carton(s) carefully. Ensure you have all parts indicated before you begin assembly.
2. Shut off the main electrical supply from the main box/circuit breaker.
3. Screw the rod (d3) to lamp body (g) till tight, repeat operation on the rod (d1) and rod (d2) when you connect the rods, loosen the small hex screws (e) in the side hole first then tighten with Allen wrench (u) after all rods are connected. Be sure all the hexangular screws are tight enough.
4. Remove the mounting plate (a) from the canopy (b) by turning collar loop (c) in a counterclockwise direction.
5. Pull the electrical cord of "j-box" through the exit hole of the mounting plate.
6. Carefully inspect the fixture wires. The neutral fixture wire has very fine ridges molded into its plastic covering. The hot fixture wire has a smooth covering. The bare wire is the grounded wire.
7. Attach the ground wire from the fixture to the ground junction box wire from the outlet (usually green or bare wire). Fasten each together with a plastic wire connector (k) and wrap the connection with electrical tape. If your outlet box does not have a ground wire, insert the green ground screw into the mounting plate (a) facing down, and wrap the fixture's bare ground wire around the ground screw. It is imperative that the outlet box in your home be properly grounded.
8. Connect the neutral fixture wire to the neutral junction box wire (usually white). Fasten each together with a wire connector (k) and wrap the connection with electrical tape. Be sure no strands are exposed.
9. Connect the hot fixture wire to the hot j-box wire (usually black). Fasten each together with a plastic wire connector (k) and wrap the connection with electrical tape. Be sure no wire strands are exposed. Do not reverse the hot and neutral connections or safety will be compromised.
10. Gently tuck the wire connections (k) neatly into the junction box.
11. Attach the mounting plate (a) with nipple to the ceiling outlet box using the enclosed mounting screws (j) and tighten screws with a screwdriver.
12. Push collar loop (c) in canopy (b) and thread onto the nipple in mounting plate (a) by turning in a clockwise direction.
13. Attached the glass panel (f) on the lamp body (g), then tighten and fix it with 2 sets of thumb-screw a (i) and

CARE INSTRUCTIONS:

Wipe with a soft, dry cloth. To protect finish, avoid the use of chemicals and household cleaners.

For customer service questions call 1-800-338-2150

ARTERIO RS