

ASSEMBLY INSTRUCTIONS

ITEM DESCRIPTION:

ITEM NO.: 89065 NAME: Leighton Chandelier

MATERIAL TYPE: Glass FINISH: Antique Brass

SOCKET TYPE: E26 SOCKET QTY: 7

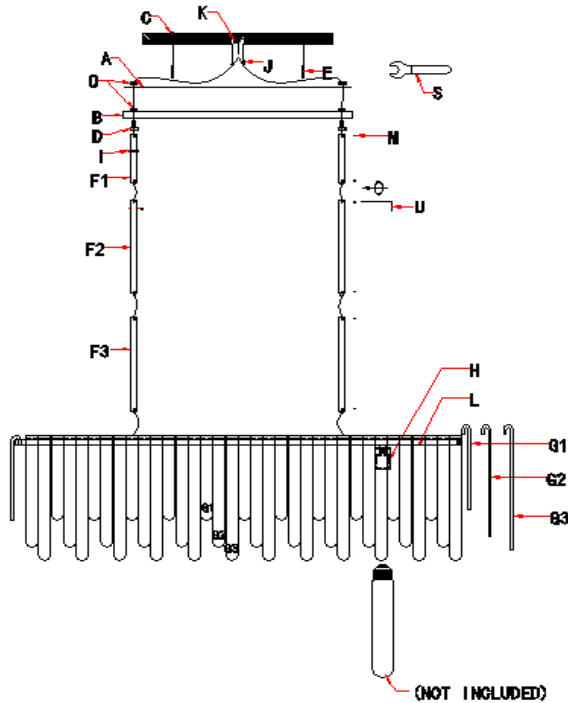
BULB WATTAGE: 60W/CFL 12W/LED 10W

VOLTAGE: 110-120 V ITEM NET WEIGHT: 48.5LBS



TO ASSEMBLE:

1. Remove all packing contents and parts from the carton(s) carefully. Ensure you have all parts indicated before you begin assembly.
2. Shut off the main electrical supply from the fuse box/circuit breaker.
3. Remove the mounting plate (A) from the canopy (B) by removing 2pcs screw nuts (O) in a counterclockwise direction.
4. Position fixture in desired location on ceiling. The mounting plate features (2) holes for screw mounting. Mark these spots on the ceiling with a pencil to drill holes. Drill 2 holes on these spots and insert anchors(c) into drilled holes.
5. Screw the rod (F3) to lamp body(l) till tight, repeat the same operation on the rod (F1) and rod (F2) when you connect the rods, loosen the small hex screws (M) in the side hole first then tighten with Allen wrench (U) after all rods are connected. Be sure all the hexangular screws are tight enough.
6. Put rod (F1) through the collar loop (I) and canopy (B) and connect the nipple (D) to the rod (F1) then tighten it by turning in a clockwise direction. Repeat the same operations (7) on another side.
7. Connect nipple (D) to the mounting plate (A) with 2pcs of screw nuts (O) and tighten screw nuts (O) with a wrench. Repeat operations (8) on another side.
8. Pull the electrical cord of "j-box" through the exit hole of the mounting plate.
9. Inspect fixture wires. The neutral wire has fine ridges molded into its plastic covering. The hot wire has a smooth covering. The grounded wire is bare.
10. Attach the ground wire from the fixture to the ground junction box wire from the outlet. Fasten together with a plastic wire connector (K) and wrap the connection with electrical tape. If your outlet box does not have a ground wire, insert the green ground screw into the mounting plate (A) facing down, and wrap the fixture's bare ground wire around the ground screw. It is imperative that the outlet box in your home be properly grounded.
11. Connect the neutral fixture wire to the neutral junction box wire (usually white). Fasten each together with a wire connector (K) and wrap the connection with electrical tape. Be sure no strands are exposed.
12. Connect the hot fixture wire to the hot junction box wire (usually black). Fasten each together with a plastic wire connector (K) and wrap the connection with electrical tape. Be sure no wire strands are exposed. do not reverse the hot and neutral connections or safety will be compromised.
13. Gently tuck the wire connections(k) neatly into the ceiling junction box.
14. Attach the mounting plate (A) to the ceiling outlet box using the enclosed mounting screws (J) and tighten screws (J) with a screwdriver. Then secure mounting plate (A) on the ceiling by inserting 2pcs strengthened screws (E) into the anchor(C) and then tighten strengthened screws (E) with a screwdriver.
15. Push canopy (B) and collar loop (I) up to ceiling and thread collar loop (I) onto the nipple (D) in mounting plate (A) to secure canopy by turning clockwise.
16. Attach the small glass (G1), the glass (G2) and the big glass (G3) on the lamp body (L) in turn and repeat the same operations on the other glass.
17. Insert 7 type t 60w bulbs (or /cfl12w or /led10w, not included) into the sockets (H). Do not exceed the specified wattage. Restore power to the junction box and test fixture.



PARTS INCLUDED:

(A) Mounting Plate	Qty: 1	(G3) Large Glass	Qty: 26
(B) Canopy	Qty: 1	(H) Sockets	Qty: 7
(D) Nipple	Qty: 2	(I) Collar Loop	Qty: 2
(F) Rods	Qty: 6	(L) Lamp Body	Qty: 1
(G1) Small Glass	Qty: 26	(M) Hex Screws	Qty: 12
(G2) Medium Glass	Qty: 26	(O) Nuts	Qty: 4

HARDWARE INCLUDED:

(K) Plastic Wire Connector	(C) Anchor
(J) Mounting Screws	(E) Strengthened Screws
Green Ground Screw	(U) Allen Wrench
(S) Wrench	

TO INSTALL YOU WILL NEED:

- 2 people recommended
 - Phillips Screwdriver
- These instructions are provided for safety. It is very important that they are read carefully and completely before beginning installation of this chandelier.

We strongly suggest that all hard-wired fixtures must be installed by a professional electrician.

CARE INSTRUCTIONS:

Wipe with a soft, dry cloth. To protect finish, avoid the use of chemicals and household cleaners.

For customer service questions call 1-800-338-2150

ARTERIOS