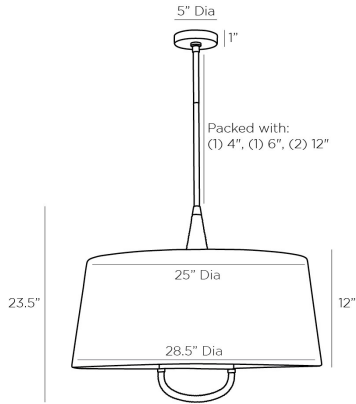


# ARTERIOS

## MIDDLEBURY PENDANT



49789

H: 28.5 IN, Dia: 28.50 IN

Natural Cotton String

Contract Suitable As Is

The Middlebury pairs feminine form and masculine materials to create the distinct design of this pendant. The unique, rustic style of the shade is crafted from natural cotton string with a white linen lining and a matching diffuser, concealing six lights but exposing a brown leather-wrapped decorative handle — balancing differing tones and textures. Suspended from an antique brass steel pipe and complete with a taupe cloth cord. Finish will vary. Additional pipe available (PIPE-422). Damp-rated, although limited covered outdoor areas may affect finish.

### APPEARANCE

	Antique Brass
Material	Cotton, Leather, Linen, Steel
Material Type	String
Finish	Antique Brass, Brown, Natural, White
Finish Will Vary	true
Top Coat/Sealant	true

### DIMENSIONS

Pendant	H: 23.5 IN, Dia: 28.50 IN
Minimum Hanging Height	28.5 IN
Maximum Hanging Height	58.5 IN
Canopy	H: 1 IN, Dia: 5.00 IN

### WIRING

Rating	Damp
Suggested Bulb Type	T6
Cord	10 FT, Black/White, SVT
Socket	6, Type B - E12
Photographed Bulb	Small Clear Tubular Bulb
Maximum Watt	60
Voltage	110-120 V

### CERTIFICATIONS

	Mexico
Certifications	Australia, European Union, United Arab Emirates, United States, Canada

### COMPLIANCY

UL/ETL	Yes
CB	Yes
RoHS	true

### SHIPPING

Shipping Requirements	TruckShip
Product Weight	13.5 LBS
Gross Weight 1	15 LBS
Shipping Box 1	H: 15.5 IN, L: 38.5 IN, W: 30.5 IN
Shipping Box 2	H: 0 IN, L: 0 IN, W: 0 IN
Shipping Box 3	H: 0

### ADDITIONAL INFO

Features	Sustainable
----------	-------------

### REPLACEMENT PARTS

Replacement Part 1	PIPE-422
Replacement Part 1 Dim	(1) 4", (1) 6", (1) 12"
Replacement Part 2	CANOPY-596
Replacement Part 2 Dim	1" x 5" Dia

### CONTRACT

Contract Suitable	true
-------------------	------