

ASSEMBLY INSTRUCTIONS

ITEM DESCRIPTION:

ITEM NO.: 79835-583

NAME: Mitchell Floor Lamp

MATERIAL TYPE: Metal / Alabaster

FINISH: New Bronze / Alabaster

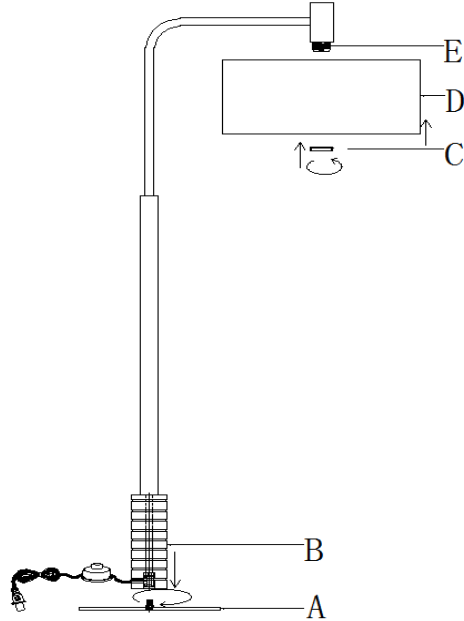
SOCKET TYPE: E26

SOCKET QTY: 1

BULB WATTAGE: 100W/23W CFL/10W LED

VOLTAGE: 110-120V

ITEM NET WEIGHT: 15.5LBS



PARTS INCLUDED:

BASE (A) Qty: 1

BODY (B) Qty: 1

SOCKET RING (C) Qty: 1

SHADE (D) Qty: 1

SOCKET (E) Qty: 1

PRE-ASSEMBLY:

- Remove all parts and hardware from box along with any plastic protecting packaging
- Do not discard any contents until after assembly is complete to avoid accidentally discarding small parts or hardware.



TO ASSEMBLE:

1. Remove all packing contents
2. Please be sure you have all parts indicated before you begin assembly.
4. Screw the base assembly (A) into the bottom of the base (B)
5. Place shade (D) onto the top of the socket (E)
6. Screw the socket ring (C) to fix the shade (D)

CARE INSTRUCTIONS:

- Clean with soft, dry cloth.
- Always avoid the use of harsh chemicals or abrasive cleaners as they may cause damage to the lamp.

IMPORTANT SAFETY INSTRUCTIONS:

For safety purposes, this lamp is equipped with a polarized plug (one blade is wider than the other) (For North America Customers Only). If the plug does not fit securely into your outlet, do not force it – contact a professional electrician. Use the plug with an extension cord only if it can be fully inserted into the cord's socket. Never alter the plug in any way. This instruction is provided for your safety. It is important that it is read carefully and completely before assembling the fixture. To avoid risk of fire, do not exceed the recommended wattage.

WARNING:

- To reduce the risk of fire, electrical shock, or personal injury, always turn off and unplug lamp and allow it to cool prior to replacing the bulb.
- Do not touch bulb when fixture is turned on. Do not look directly at lit bulb.
- Keep flammable materials away from lit bulb.

For customer service questions call 1-800-338-2150

ARTERIOS