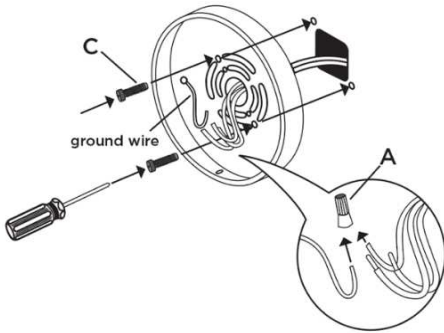


ASSEMBLY INSTRUCTIONS

ITEM DESCRIPTION:

ITEM NO.: 44786	NAME: Orrick Sconce
MATERIAL TYPE: Textured Aluminum	FINISH: Matte Charcoal
SOCKET TYPE: E26	SOCKET QTY: 1
BULB WATTAGE: 25W/CFL 7W/LED 5W	
VOLTAGE: 110-120V	ITEM NET WEIGHT: 4.5LBS



PARTS INCLUDED:

Mounting Plate	Qty: 1
Back Plate	Qty: 1
Iron/Glass Body	Qty: 1

HARDWARE INCLUDED:

Mounting Screws	Qty: 2
Plastic Wire Connector	Qty: 1

TOOLS NEEDED (Not Included):

1 Screwdriver

These instructions are provided for safety. It is very important that they are read carefully and completely before beginning installation of this sconce.

We strongly suggest that all hard-wired fixtures must be installed by a professional electrician.



TO ASSEMBLE:

1. Attach mounting plate to wall or junction box using mounting screws (C).
2. Connect ground wire from wall to ground wire from lamp using wire caps (A).
3. Attach house wire to lamp wires as shown. Fasten the pairs together with a wire caps (A). DO NOT REVERSE THE HOT AND NEUTRAL CONNECTIONS OR SAFETY WILL BE COMPROMISED.
4. Attach front face of light to back plate by inserting canopy screws (B) through predrilled holes in front face and into back plate as shown. Tighten using screwdriver.
5. Insert 2 TYPE B 25W BULB / 7W SBCFL / 5 W SBLED bulb (not included) into the socket. DO NOT EXCEED SPECIFIED WATTAGE.

CARE INSTRUCTIONS:

Wipe with a soft, dry cloth. To protect finish, avoid the use of chemicals and household cleaners.

For customer service questions call 1-800-338-2150

ARTERIO RS