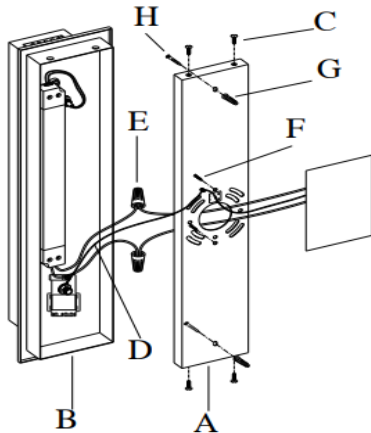


# ASSEMBLY INSTRUCTIONS

## ITEM DESCRIPTION:

ITEM NO.: 49815	NAME: Ozona Sconce
MATERIAL TYPE: Marble	FINISH: Black
SOCKET TYPE: Integrated LED	SOCKET QTY: 1
BULB WATTAGE: 15 W	
VOLTAGE: 110-120 V	ITEM NET WEIGHT: 7.5 LBS

### PRODUCT ASSEMBLY



### PARTS INCLUDED:

Mounting Plate ( A )	Qty: 1 Pc
Back Plate ( B )	Qty: 1 Pc
Plate Screw ( C )	Qty: 4 Pcs
Yellow-Green Cord ( D )	Qty: 1 Pc

### HARDWARE INCLUDED:

Mounting Screws ( F )	Qty: 2
Plastic Wire Connector ( E )	Qty: 2
Anchor ( G )	Qty: 2
Strengthened Screw ( H )	Qty: 2

### TOOLS NEEDED (Not Included):

1 Screwdriver
---------------

These instructions are provided for safety. It is very important that they are read carefully and completely before beginning installation.

We strongly suggest that all hard-wired fixtures must be installed by a professional electrician.

For customer service questions call 1-800-338-2150



### TO ASSEMBLE:

1. Shut off the main electrical supply from the main fuse box/circuit breaker.
2. Remove the mounting plate (A) from the back plate (B) by loosening the plate screws (C).
3. Pull the electrical cord of the "J box" through the exit hole of the mounting plate (A).
4. Attach the yellow-green ground wire (D) from the fixture to the ground junction box wire from the outlet (usually green or bare wire). Fasten each together with a plastic wire connector (F) and wrap the connection with green ground tape. If your outlet box does not have a ground wire, insert the green ground screw into the mounting plate (A) facing down, and wrap the fixture's ground wire around the ground screw. IT IS IMPERATIVE THAT THE OUTLET BOX IN YOUR HOME BE PROPERLY GROUNDED.
5. Connect the neutral fixture (blue, labelled "N"), to the neutral junction box wire (usually white). Fasten each together with a wire connector (E) and wrap the connection with electrical tape. Be sure no wire strands are exposed.
6. Connect the hot fixture wire (brown, labelled "L"). To the hot junction box wire (usually black). Fasten each together with a plastic wire connector (E) and wrap the connection with electrical tape. Be sure no wire strands are exposed. DO NOT REVERSE THE HOT AND NEUTRAL CONNECTIONS.
7. Gently tuck the wire connections neatly into the junction box.
8. Drill the anchor (G) to the wall first, attach the mounting plate (A) to the outlet box using the mounting screws (F). Tighten with a screwdriver. Then thread strengthened screws (H) into the anchors. Repeat the same operation on another anchor and strengthened screw.
9. Attach the back plate (B) to the mounting plate (A) using the enclosed plate screws (C) with a screwdriver.
10. Restore power to junction box and test fixture. DO NOT EXCEED SPECIFIED MAX WATTAGE.

### CARE INSTRUCTIONS:

Wipe with a soft, dry cloth. To protect finish, avoid the use of chemicals and household cleaners.

ARTERIO RS