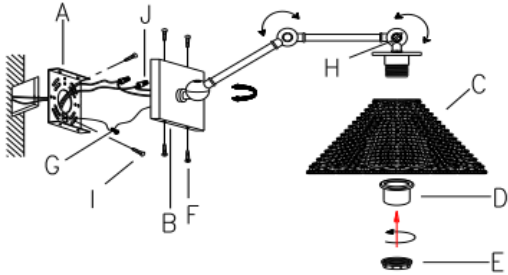


ASSEMBLY INSTRUCTIONS

ITEM DESCRIPTION:

ITEM NO: DS49016	NAME: Padma Sconce
MATERIAL TYPE: Rattan	FINISH: Natural
SOCKET TYPE: E26	SOCKET QTY: 1
BULB WATTAGE: 40W/CFL 10W/LED 9W	
VOLTAGE: 110-120W	ITEM NET WEIGHT: 3LBS



PARTS INCLUDED:

Mounting Plate (A)	Qty: 1
Back Plate (B)	Qty: 1
Shade (C)	Qty: 1
Socket Cup (D)	Qty: 1
Socket Ring (E)	Qty: 1
Plate Screw (F)	Qty: 4
Ground Screw (G)	Qty: 1
Turn Knob (H)	Qty: 2

HARDWARE INCLUDED:

Mounting Screws (J)
Wire Connector (I)

TOOLS NEEDED (Not Included):

1 Screwdriver

These instructions are provided for safety. It is very important that they are read carefully and completely before beginning installation of this chandelier.

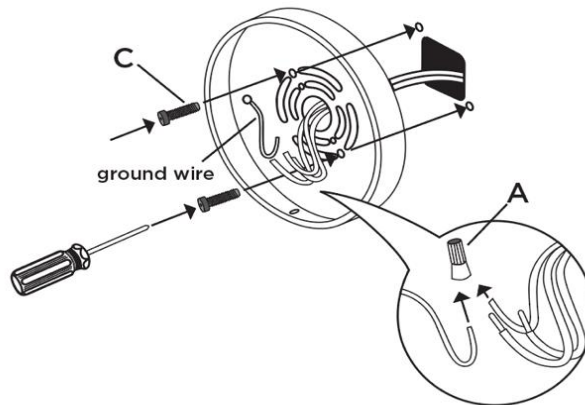
We strongly suggest that all hard-wired fixtures must be installed by a professional electrician.

For customer service questions call 1-800-338-2150



TO ASSEMBLE:

1. Shut off the main electrical supply from the main fuse box/circuit breaker.
2. Attach mounting plate to wall or junction box using mounting screws (C).
3. Connect ground wire from wall to ground wire from lamp using wire caps (A).
4. Attach house wire to lamp wires as shown. Fasten the pairs together with a wire caps. DO NOT REVERSE THE HOT AND NEUTRAL CONNECTIONS OR SAFETY WILL BE COMPROMISED.
5. Attach front face of light to back plate by inserting canopy screws (B) through predrilled holes in front face and into back plate as shown. Tighten using screwdriver.
6. Insert light bulb.
7. Restore power to junction box and test fixture. DO NOT EXCEED SPECIFIED MAX WATTAGE.



CARE INSTRUCTIONS:

Wipe with a soft, dry cloth. To protect finish, avoid the use of chemicals and household cleaners.

ARTERIO RS