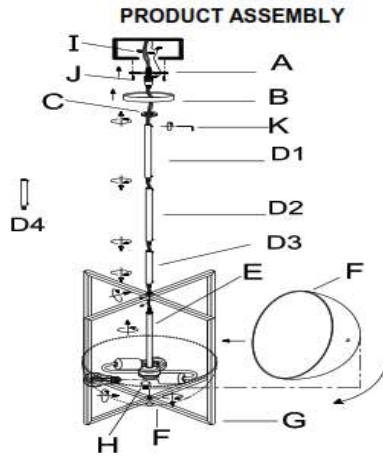


ASSEMBLY INSTRUCTIONS

ITEM DESCRIPTION:

ITEM NO.: 49177	NAME: Royce Pendant
MATERIAL TYPE: Steel	FINISH: Antique Brass
SOCKET TYPE: E26	SOCKET QTY: 2
BULB WATTAGE: 60W/16W CFL/13W LED	
VOLTAGE: 110-120 V	ITEM NET WEIGHT: 14LBS



PARTS INCLUDED:

(A) Mounting Plate	Qty: 1	(E) Socket Assembly	Qty: 1
(B) Canopy	Qty: 1	(F) Glass Shade	Qty: 1
(C) Collar Loop	Qty: 1	(G) Main Frame	Qty: 1
(D) Rods	Qty: 4	(H) Screw Nut	Qty: 1

HARDWARE INCLUDED:

Mounting Screws	2 Pcs	Canopy Screws	2 Pcs
Plastic Wire Connector	2 Pc	Allen Wrench	1 Pc
Green Ground Screw	1 Pc		

TO INSTALL YOU WILL NEED:

- 2 people recommended
- Phillips Screwdriver

These instructions are provided for safety. It is very important that they are read carefully and completely before beginning

We strongly suggest that all hard-wired fixtures must be installed by a professional electrician.

TO ASSEMBLE:

1. REMOVE ALL PACKING AND PARTS CONTENTS FROM THE CARTON(S) CAREFULLY
2. SHUT OFF THE MAIN ELECTRICAL SUPPLY FROM THE MAIN FUSE BOX/CIRCUIT BREAKER
3. SCREW THE ROD(D3) TO THE MAIN FRAME (G),AND TIGHTEN THE HEXANGULAR SCREW IN THE SIDE HOLE WITH ALLEN WRENCH(K). REPEAT THE SAME OPERATION ON THE ROD (D1)AND (D2). IF THE CEILING IS HIGH ENOUGH , PLS ASSEMBLE THE ROD(D4)IF NEEDED.
4. SCREW SOCKET ASSEMBLY (E) ONTO THE MAIN FRAME (G),AND TIGHTEN THE HEXANGULAR SCREW IN THE SIDE HOLE WITH ALLEN WRENCH(K)
5. AS ARROWS SHOW, INSERT THE GLASS SHADE(F) INTO THE MAIN FRAME(G) ,AND BE SURE THE GLASS SHADE(F) SIT IN PROPER POSITION.
6. THREAD THE SCREW NUT (H)TO SECURE THE GLASS SHADE (F) TILL TIGHT.
7. REMOVE THE MOUNTING PLATE(A)FROM THE CANOPY(B)BY TURNING COLLAR LOOP(C) IN A COUNTER CLOCKWISE DIRECTION.
8. CAREFULLY INSPECT THE PENDANT'S FIXTURE WIRES. THE NEUTRAL FIXTURE WIRE HAS VERY FINE RIDEGS MOLDED INTO ITS PLASTIC COVERING. THE HOT FIXTURE WIRE HAS A SMOOTH COVERING.THE BARE SILVER WIRE IS THE GROUNDED WIRE.
9. ATTACH THE GROUND WIRE FROM THE FIXTURE TO THE GROUND JUNCTION BOX WIRE FROM THE OUTLET (USUALLY GREEN) OR BARE WIRE). FASTEN EACH TOGETHER WITH A PLASTIC WIRE CONNECTOR (I) AND WRAP THE CONNECTION WITH ELECTRICAL TAPE. IF YOUR OUTLET BOX DOES NOT HAVE A GROUND WIRE, INSERT THE GREEN GROUND SCREW INTO THE MOUNTING PLATE (A) FACING DOWN, AND WRAP THE FIXTURE'S BARE GROUND WIRE AROUND THE GROUND SCREW. IT IS IMPERATIVE THAT THE OUTLET BOX IN YOUR HOME BE PROPERLY GROUNDED.
10. CONNECT THE NEUTRAL FIXTURE WIRE TO THE NEUTRAL JUNCTION BOX WIRE (USUALLY WHITE). FASTEN EACH TOGETHER WITH A WIRE CONNECTOR (I) AND WRAP THE CONNECTION WITH ELECTRICAL TAPE. BE SURE NO STRANDS ARE EXPOSED.
11. CONNECT THE HOT FIXTURE WIRE TO THE HOT JUNCTION BOX WIRE (USUALLY BLACK). FASTEN EACH TOGETHER WITH A PLASTIC WIRE CONNECTOR (I) AND WRAP THE CONNECTION WITH ELECTRICAL TAPE. BE SURE NO WIRE STRANDS ARE EXPOSED. DO NOT REVERSE THE HOT AND NEUTRAL CONNECTIONS OR SAFETY WILL BE COMPROMISED.
12. GENTLY TUCK THE WIRE CONNECTIONS NEATLY INTO THE CEILING JUNCTION BOX.
13. ATTACH THE MOUNTING PLATE (A) WITH NIPPLE TO THE CEILING OUTLET BOX USING THE ENCLOSED MOUNTING SCREWS (J) AND TIGHTEN SCREWS WITH A SCREWDRIVER.
14. PUSH COLLAR LOOP IN CANOPY (B) AND THREAD ONTO NIPPLE IN MOUNTING PLATE (A) IN A COUNTER CLOCKWISE DIRECTION.

CARE INSTRUCTIONS:

Wipe with a soft, dry cloth. To protect finish, avoid the use of chemicals and household cleaners.

For customer service questions call 1-800-338-2150

ARTERIO RS