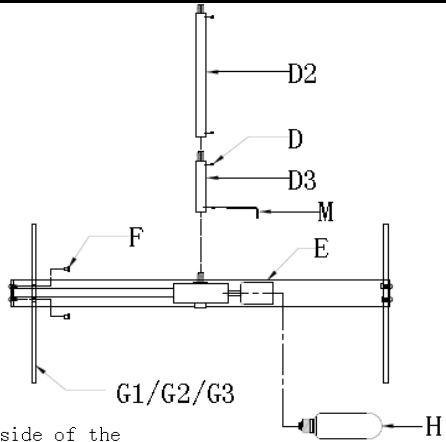


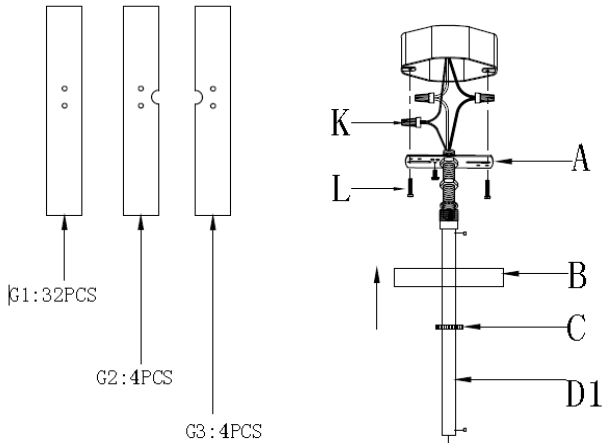
ASSEMBLY INSTRUCTIONS

ITEM DESCRIPTION:

ITEM NO.: 89312	NAME: Sinclair Chandelier
MATERIAL TYPE: Glass	FINISH: Antique Brass
SOCKET TYPE: E26	SOCKET QTY: 4
BULB WATTAGE: 60W/16W CFL/13W LED	
VOLTAGE: 110-120 V	ITEM NET WEIGHT: 40LBS



The smooth side of the installation faces out



PARTS INCLUDED:

(A) Mounting Plate	Qty: 1	(H) Bulb - Not Included	Qty: 1
(B) Canopy	Qty: 1	(F) Screw	Qty: 80
(D1, D2, D3) Rod	Qty: 3	(G1) Glass 1	Qty: 32
(C) Collar Loop	Qty: 1	(G2) Glass 2	Qty: 4
(D) Hexangular Screw	Qty: 6	(G3) Glass 3	Qty: 4
(E) Socket	Qty: 4		

HARDWARE INCLUDED:

(K) Plastic Wire Connector	2 Pc	(M) Allen Wrench	1 Pc
(L) Mounting Screws	2 Pc	Green Ground Screw	1 Pc

TO INSTALL YOU WILL NEED:

- 2 people recommended
- Phillips Screwdriver

These instructions are provided for safety. It is very important that they are read carefully and completely before beginning installation of this chandelier.

We strongly suggest that all hard-wired fixtures must be installed by a professional electrician.

TO ASSEMBLE:

1. Remove all packing contents from the carton(s) carefully. Please be sure you have all parts indicated before you begin assembly.
2. Shut off the main electrical supply from the main fuse box/circuit breaker.
3. Screw the rod (D3) to the main body, be sure tighten the hexangular screw (D) in the side hole by Allen wrench (M) repeat the same operation on the other three rods (D1) (D2).
4. Remove the mounting plate (A) from the canopy (B) by turning collar loop (C) in a counterclockwise direction.
5. Carefully inspect the pendant's fixture wires. The neutral fixture wire has very fine ridges molded into its plastic covering. The hot fixture wire has a smooth covering. The bare silver wire is the grounded wire.
6. Attach the ground wire from the fixture to the ground junction box wire from the outlet (usually green) or bare wire. Fasten each together with a plastic wire connector (F) and wrap the connection with electrical tape. If your outlet box does not have a ground wire, insert the green ground screw into the mounting plate (A) facing down, and wrap the fixture's bare ground wire around the ground screw. It is imperative that the outlet box in your home be properly grounded.
7. Connect the neutral fixture wire to the neutral junction box wire (usually white). Fasten each together with a wire connector (K) and wrap the connection with electrical tape. Be sure no strands are exposed.
8. Connect the hot fixture wire to the hot junction box wire (usually black). Fasten each together with a plastic wire connector (K) and wrap the connection with electrical tape. Be sure no wire strands are exposed. Do not reverse the hot and neutral connections or safety will be compromised.
9. Gently truck the wire connections (K) neatly into the ceiling junction box.
10. Attach the mounting plate (A) with nipple to the ceiling outlet box using the enclosed mounting screw (L) and tighten screws with a screwdriver.
11. Push up collar loop (C) to the canopy (B) and thread onto nipple in mounting plate (A) by turning in a clockwise
12. Insert one type t 60w or cfl 13w or led 9w bulb (not included) into the sockets. Do not exceed specified wattage.
13. Attached the glass (G1, G2, G3) to the lamp body and secure by screw (F). Please take note that glass (G2, G3) should be placed on the left and right side of the rods.
14. Restore power to the junction box and test fixture.

CARE INSTRUCTIONS:

Wipe with a soft, dry cloth. To protect finish, avoid the use of chemicals and household cleaners.

For customer service questions call 1-800-338-2150

ARTERIO RS