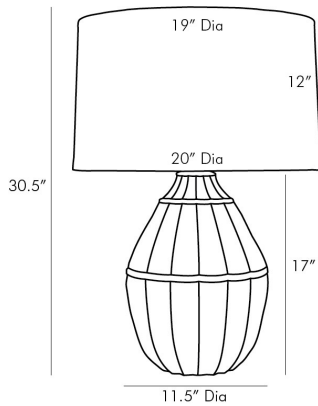


ARTERIOS

TANGIER LAMP

BETH WEBB



DW11004-578
H: 30.5 IN, Dia: 20.00 IN
Egg Shell Ceramic
Contract Suitable As Is

The Tangier Lamp with its gourd shape was inspired by an Ethiopian string jar. Beth was drawn to its pleasing wabi-sabi form both organic and architectural in feel and structure. Particular attention was paid to achieve its unique subtle finish inspired by Japanese ceramic traditions. The lamp's egg shell glaze exudes patina a subdued and sophisticated element in any room.

APPEARANCE

Material	Ceramic, Linen
Finish	Egg Shell, Off-White
Finish Will Vary	true
Top Coat/Sealant	false

DIMENSIONS

Shade	Top: 19.00 IN, Dia: 20.00 IN, Side: 12 IN
Body	H: 17 IN, Dia: 11.50 IN
Foot Print	Dia: 6.00 IN

WIRING

Rating	Indoor Only
Cord	10 FT, Back of Lamp Base, Black, SPT-2
Socket	2, Black, Type A - E26
Switch	At Socket, On/Off Pull Chain
Maximum Watt	60
Voltage	110-120 V

CERTIFICATIONS

Certifications	Mexico Australia, United Arab Emirates, United Kingdom, United States, Canada
----------------	--

COMPLIANCY

UL/ETL	Yes
CB	Yes
RoHS	true

SHIPPING

Product Weight	10 LBS
Gross Weight 1	12 LBS
Gross Weight 2	3 LBS
Shipping Box 1	H: 15.5 IN, L: 26 IN, W: 26 IN
Shipping Box 2	H: 14 IN, L: 21 IN, W: 21 IN

CONTRACT

Contract Suitable	true
-------------------	------